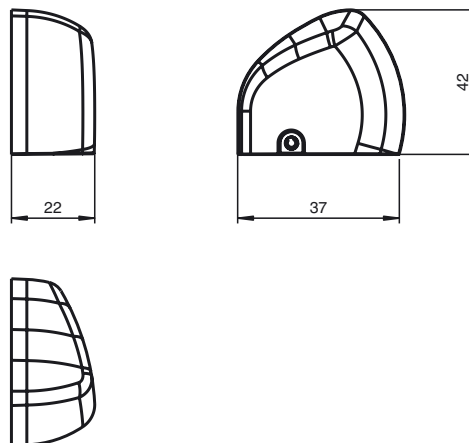




Dimensions



Model number

TopScan-S Cap Set

End cover for TopScan-S aluminum profile section

Technical data

Ambient conditions

Ambient temperature -10 ... 50 °C (263 ... 323 K)

Mechanical specifications

Material plastic
Mass approx. 4 g

General information

Packing unit 2

Suitable series

Series TOPSCAN-S