



- Up to 4 read heads can be connected
- DIN rail mounting
- Ethernet interface with TCP/IP and UDP/IP

WCS-EG210



Technical data

General specifications

Installation DIN rail mounting

Electrical specifications

Operating voltage U_B 24 V \pm 10 %

Power consumption P_0 \leq 3.6 W (without read heads)

Interface 1

Connection of control system

Interface type Ethernet

Protocol TCP/IP and UDP/IP

Transfer rate 10 MBit/s or 100 MBit/s

Data output format binary code

Interface 2

Connection of Reading head

Connectable read heads WCS-LS221 , WCS-LS121

Interface type RS 485

Transmission method half duplex

Transfer rate 62.5 kBit/s

RS485 termination resistor switchable

Refresh cycle of read head 1 ms

Standard conformity

Emitted interference EN 55011

Noise immunity DIN EN 50082-2

Ambient conditions

Operating temperature 0 ... 45 °C (32 ... 113 °F) , no moisture condensation

Storage temperature -40 ... 70 °C (-40 ... 158 °F)

Relative humidity \leq 80 %

Mechanical specifications

Connection type Interface 1: RJ-45 socket, 8-pin
Interface 2: terminal connection \leq 2.5 mm² , 5-pin

Housing width 90 mm

Housing height 127 mm

Housing depth 55 mm

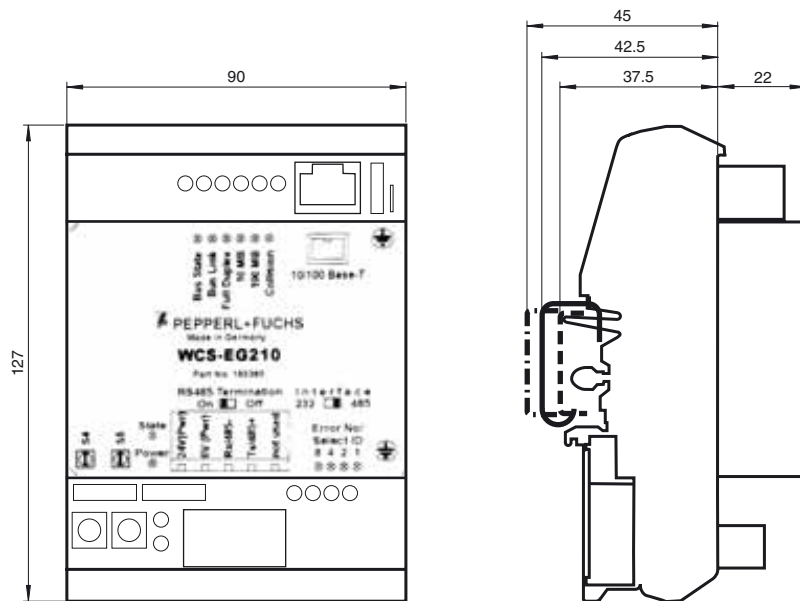
Protection degree IP24

Material plastic

Installation position any position

Mass approx. 200 g

Dimensions



Electrical connection

