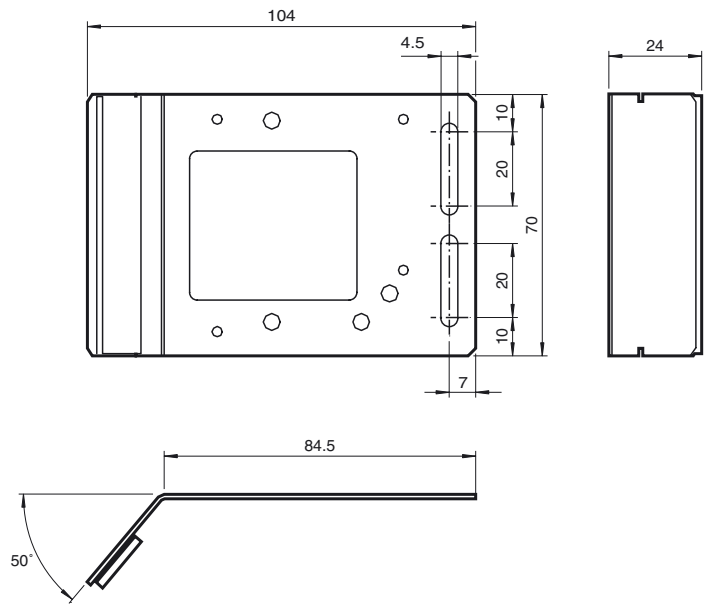


Dimensions



Model Number

DM-VB8

Deviation mirror for barcode scanner series VB8

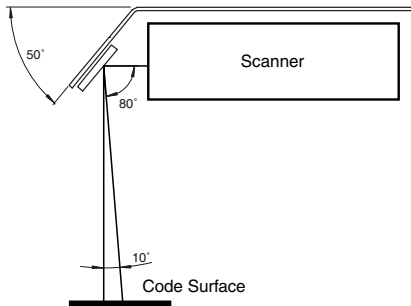
Function

The DM-VB8 deviation mirror assembly comprises a mounting plate with a deviation mirror for scanners in the VB8 series. The mirror on the mounting plate deflects the scanner light beam through 80°. The 10° deviation from a right angle is devised to avoid any reduction in read safety, since direct reflection is avoided.

Technical data

Mechanical specifications

Dimensions 70 mm x 104 mm x 24 mm



The deviation mirror is attached to the scanner with 4 screws, which are supplied in the delivery package.

Release date: 2007-12-14 08:22 Date of issue: 2007-12-14 191015_ENG.xml