



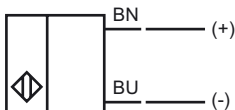
Model Number

NBB6-F-B3

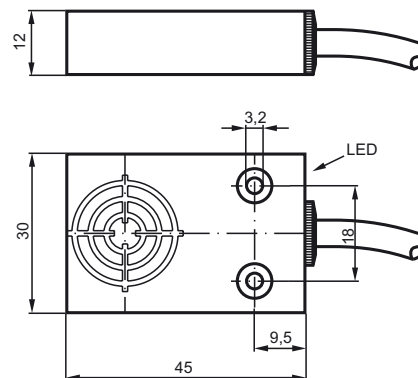
Features

- Basic series
- 6 mm flush
- NO/NC selectable
- Protection degree IP67
- Oscillator monitoring

Connection



Dimensions



Technical Data

General specifications

Switching element function		NO/NC programmable
Rated operating distance	s_n	6 mm
Installation		flush
Output polarity		AS-Interface
Assured operating distance	s_a	0 ... 4.86 mm
Reduction factor r_{Al}		0.28
Reduction factor r_{Cu}		0.25
Reduction factor r_{304}		0.75
Slave type		Standard slave
AS-Interface specification		V2.1
Required master specification		\geq V2.1

Nominal ratings

Operating voltage	U_B	26.5 ... 31.9 V via AS-i bus system
Switching frequency	f	\geq 500 (P3=0),
Hysteresis	H	typ. 5 %
Operating current	I_L	20 mA

Functional safety related parameters

MTTF _d	1873 a
Mission Time (T_M)	20 a
Diagnostic Coverage (DC)	0 %

Indicators/operating means

LED POWER	AS-Interface voltage; LED green
LED IN	switching state (input); LED yellow
LED OUT	Dual LED yellow/red yellow: switching state red: error mode

Electrical specifications

Rated operational voltage	U_e	26.5 ... 31.6 V from AS-Interface
---------------------------	-------	-----------------------------------

Ambient conditions

Ambient temperature	-25 ... 70 °C (-13 ... 158 °F)
Storage temperature	-40 ... 85 °C (-40 ... 185 °F)

Mechanical specifications

Connection type	cable PVC , 2 m
Core cross-section	0.34 mm ²
Housing material	PBT
Protection degree	IP67
Mass	90 g

Compliance with standards and directives

Standard conformity	
Standards	EN 60947-5-2:2007 IEC 60947-5-2:2007 EN 50295:1999

Approvals and certificates

UL approval	cULus Listed, General Purpose
CSA approval	cCSAus Listed, General Purpose
CCC approval	Products with a maximum operating voltage of \leq 36 V do not bear a CCC marking because they do not require approval.

Programming instructions

Address 00 preset, alterable via Busmaster or programming units
 IO-code 1
 ID-code 1
 ID1-code F
 ID2-code F

Data bit

Bit	Function
D0	switching state
D1	not used
D2	oscillator monitoring
D3	not used

Parameterbit

Bit	Function
P0	not used
P1	switching element function NO* / NC
P2	not used
P3	not used

* Standard setting

Fault mode

- No communication
Red LED On
Green LED On
- Address 0 set
Red LED On
Green LED flashes

Release date: 2012-05-23 10:20 Date of issue: 2012-05-23 190763_eng.xml