



Model Number

RAL150-IR/32/98

Slot grid sensor
with 3-pin, M8 x 1 connector

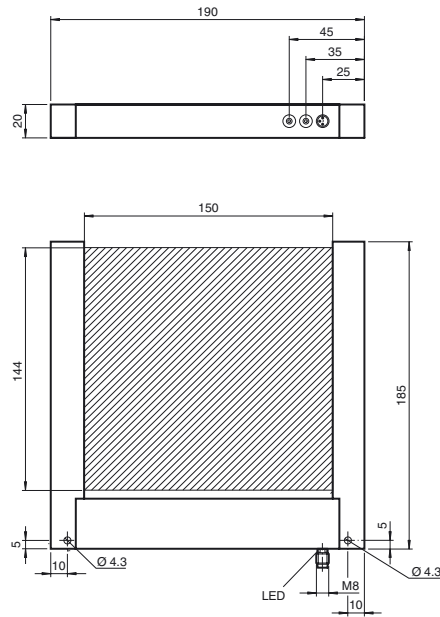
Features

- Compact slot grid sensor
- Open frame with wide detection area
- Optimized for the detection of small parts
- Option to suppress stationary objects
- Detection of very small guided and non-guided parts in free fall

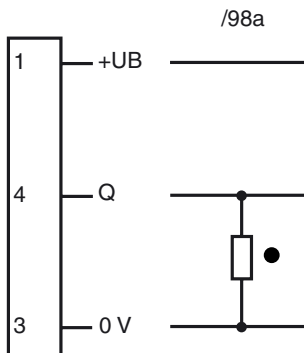
Product information

Slot grid sensors are ideal for filling and counting objects in feed devices. In contrast to standard photoelectric slot sensors, the slot grid sensors have an entire field for object detection with a maximum response speed of 100 m/s and a minimum object size of 1 mm. When using dynamic mode, only moving objects are detected.

Dimensions



Electrical connection

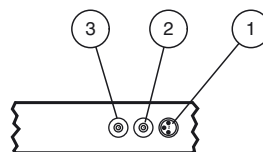


○ = Light on
● = Dark on

Pinout



Indicators/operating means



1	Functional display	yellow
2	Time/static	
3	Sensitivity adjuster	

Release date: 2012-12-11 12:00 Date of issue: 2013-01-09 190731_eng.xml

Subject to modifications without notice

Pepperl+Fuchs Group
www.pepperl-fuchs.com

USA: +1 330 486 0001
fa-info@us.pepperl-fuchs.com

Germany: +49 621 776-4411
fa-info@pepperl-fuchs.com

Copyright Pepperl+Fuchs
Singapore: +65 6779 9091
fa-info@sg.pepperl-fuchs.com

Technical data**General specifications**

Light source	IRE D
Light type	modulated infrared light
Marking	CE
Fork width	150 mm
Ambient light limit	10000 Lux
Resolution	3 mm
Temperature influence	< 10 %
active zone	150 mm x 144 mm

Indicators/operating means

Function display	LED, yellow
Controls	sensitivity adjustment
Controls	Time adjuster for Pulse stretching and Dynamic/static operation

Electrical specifications

Operating voltage	U_B	24 V DC \pm 20 %
No-load supply current	I_0	< 70 mA

Output

Switching type	dark on	
Signal output	1 PNP output, short-circuit protected, reverse polarity protected, open collector	
Switching voltage	max. 30 V DC	
Switching current	200 mA	
Voltage drop	U_d	< 2.5 V
Switching frequency	f	5000 Hz
Repeat accuracy	R	0.1 mm
Pulse extension		0.1 ... 150 ms

Standard conformity

Standards	EN 60947-5-2
-----------	--------------

Ambient conditions

Ambient temperature	-10 ... 60 °C (14 ... 140 °F)
---------------------	-------------------------------

Mechanical specifications

Protection degree	IP67
Connection	M8 connector, 3-pin
Material	
Housing	black anodized aluminium
Optical face	glass
Mass	500 g

Resolution

Potentiometer setting	RAL-50	RAL-70	RAL-100	RAL-150
Minimal	0.5 mm	0.8 mm	1.0 mm	1.2 mm
Center	4.0 mm	8.0 mm	10.0 mm	15.0 mm
Maximum	8.0 mm	15.0 mm	25.0 mm	50.0 mm

The information on the maximum resolution (smallest detectable object) relates to the center of the slot grid sensor.

Configuration information

The device is set to large parts by turning the sensitivity adjustment potentiometer clockwise and to small parts by turning the sensitivity adjustment potentiometer counterclockwise.

The "time/static" potentiometer can be used both to select pulse extension in dynamic operation and to select static/dynamic operation. Static operation is selected by turning the potentiometer counterclockwise as far as it will go. Pulse extension is set to 1 ms. Pulse extension can be adjusted between 150 ms and 0 ms by turning the potentiometer clockwise.

In static operation, the output remains set while the object is within the frame. The switching threshold is not automatically tracked in this operating mode. Temperature fluctuations and dirt may trigger a switching operation.

In dynamic operation, the output is set only to the specified pulse extension. Objects that extend into the frame are hidden.

If the device becomes dirty in dynamic operation, the output is set statically at 50% reception signal.

Accessories**V3-GM-2M-PUR**

Cable socket, M8, 3-pin, PUR cable

V3-WM-2M-PUR

Cable socket, M8, 3-pin, PUR cable

Other suitable accessories can be found at www.pepperl-fuchs.com