



Model Number

OMH-LS610-31

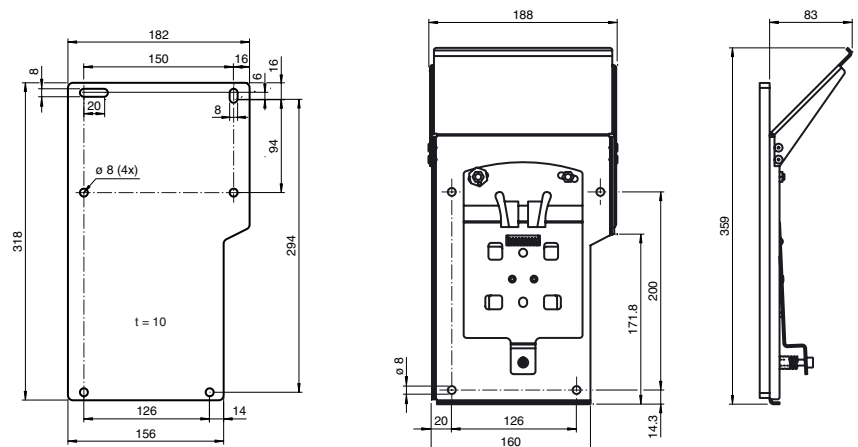
Mounting bracket for optical data coupler and distance measurement devices

Features

- Mounting bracket with deviation mirror for stationary installations
- Fixing with latching spring or latch fastener for easy installation

Quick clamp and adjustment system

Dimensions



Technical data

General specifications

Accessories provided Adapter plate

Mechanical specifications

Material Stainless steel
Mass approx. 3200 g

Suitable series

Series LS610
LS611