



CE

Model Number

OMH-VDM35-01

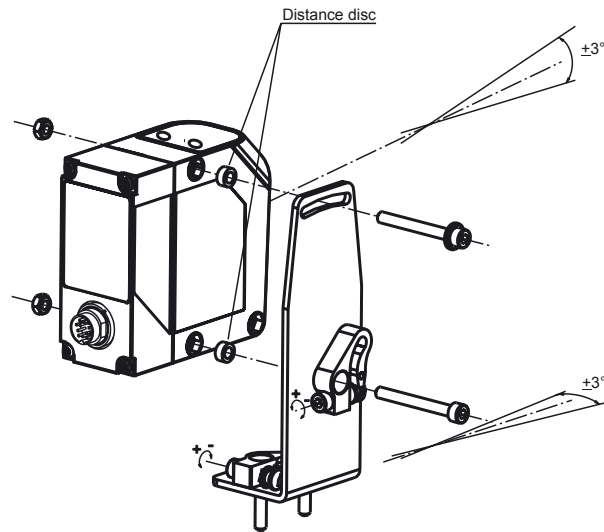
Adjustment set series VDM35

Features

- Simple and fast mounting
- For use with mounting bracket OMH-VDM35

Sold in pairs

Dimensions



Technical data

General specifications

Accessories provided	Mounting bracket not included
----------------------	-------------------------------

Mechanical specifications

Material	aluminum, black anodized
Mounting	Mounting accessories included

Suitable series

Series	VDM35 , VDM70
--------	---------------

Note

The fine adjustment set allows a fine tuning of the device on the mounting bracket. X and Y axis can be adjusted by ± 3 degrees. Mounting see dimensions.