



Laser Class 2M

### Model Number

#### ODT-HH-MAH300

Handheld Data Matrix reader for all current 1D and 2D barcodes, for wired and wireless operation, with keypad and LCD

### Features

- All common 1D or 2D codes can be read
- 3 readings per seconds
- Omni-directional reading
- Evaluation of up to 256 gray values with adaptive gray value threshold
- Keypad for entry of alphanumeric characters
- LCD display
- Free programming with JavaScript

### Function

The ODT-HH-MAH200 is a handheld, which is used to identify objects with 1D and 2D barcodes. The ODT-HH-MAH300 uses the same ergonomic platform as the very successful ODT-HH-MAH200 and increases mobile reading of 1D and 2D barcodes to a graphic display and enables data entry or changes - via the keyboard.

The unique Dynamic Optimization Technology (DOT) continuously adapts the resolution, illumination and reading range to enable fast identification and decoding of a wide range of symbology types, sizes, recording surfaces and ambient lighting. With DOT, the ODT-HH-MAH300 can decode 2D barcodes at speeds similar to those achieved when decoding 1D barcodes.

Data stored on the handheld can be smoothly transferred to a PC with a USB, RS 232 or PS/2 interface. For this purpose, an optimal accessory has been made available.

**Technical data****General specifications**

|                  |  |
|------------------|--|
| Light type       | Integrated LED lightning (red)   |
| Symbologies      | Maxi Code, PDF 417, Data Matrix, QR Code, MicroPDF 417, GoCode, UCC Composite, Aztec Code, Code 39, Code 128, UPC, EAN, JAN, Int 2 of 5, Codabar, Code 93, UCC RSS, POSTNET, PLANET, Japanese Post, Australia Post, Royal Mail, RM4SCC, KIX Code, Codablock , 4-State Customer Barcode (Intelligent Mail® Barcode) |
| Laser class      | 2M   |
| Read distance    | 50 ... 500 mm Depending on code symbology  |
| Reading field    | max. 125 mm x 200 mm   |
| Modul size       | ≥ 0.15 mm  |
| Sensor principle | Camera system  |
| Target velocity  | Stop   |
| Data Matrix      |  |
| Symbol size      | rectangular up to 144 x 144 modules<br>rectangular up to 16 x 48 modules   |
| Orientation      | omnidirectional  |

**Nominal ratings**

|                       |                                   |
|-----------------------|-----------------------------------|
| Camera                |                                   |
| Type                  | CMOS                              |
| Number of pixels      | 1024 x 640 pixels per focus point |
| Gray scale            | 256                               |
| Image recording       | real-time , manually triggered    |
| Processor             |                                   |
| Clock pulse frequency | 400 MHz                           |
| Digital resolution    | 8 Bit                             |
| Memory                |                                   |
| Non-volatile memory   | 4 MByte                           |

**Indicators/operating means**

|          |   |
|----------|---|
| Display  | 128 x 128 pixel monochrome LC Display         |
| Keyboard | Keypad for entering alphanumerical characters |
| Key      | 2 programmable function keys                  |

**Electrical specifications**

|        |                           |
|--------|---------------------------|
| Supply | from interface or battery |
|--------|---------------------------|

**Interface**

|          |                          |
|----------|--------------------------|
| Physical | USB 1.1 , RS 232 or PS/2 |
| Protocol | ASCII                    |

**Ambient conditions**

|                     |                               |
|---------------------|-------------------------------|
| Ambient temperature | 0 ... 40 °C (32 ... 104 °F)   |
| Storage temperature | -20 ... 60 °C (-4 ... 140 °F) |

**Mechanical specifications**

|                   |   |
|-------------------|---|
| Protection degree | IP20  |
| Connection        | System connector for connecting cable or handle |
| Material          |   |
| Housing           | plastic   |
| Mass              | approx. 180 g                                   |
| Dimensions        | 112 mm x 46 mm x 41 mm                          |

**Compliance with standards and directives**

|                          |                              |
|--------------------------|------------------------------|
| Directive conformity     |                              |
| EMC Directive 89/336/EEC | EN 55024                     |
| Standard conformity      |                              |
| Noise immunity           | EN 61000-4-2/3/4/6, EN 55022 |
| Emitted interference     | EN 55022                     |
| Protection degree        | EN 60529                     |
| Laser class              | IEC 60825-1:2007             |

**Accessories****Vision Configurator**

Software for all camera-based sensors

**ODZ-MAH300-BRACKET**

Bracket for hand-held units with displays

**ODZ-MAH-GRIP1**

Handle with trigger button

**ODZ-MAH-GRIP2**

Handle with trigger switch and 1950 mAh battery

**ODZ-MAH-GRIP3**

Handle with trigger switch and 3900 mAh battery

**ODZ-MAH-SUPPLY**

Power supply

**ODZ-MAH-CHARGER**

Charging tray for ODZ-MAH-GRIP2/GRIP3

**ODZ-MAH-CHARGER-SINGLE**

Charger for ODT-HH-MAH200/300/1\*T-HH20

**ODZ-MAH-CAB-CHARGE**

Cable for power supply unit

**ODZ-MAH-BAT**

Lithium ion battery 1950 mAh

**ODZ-MAH-BLANK**

Battery blank

**ODZ-MAH-CAB-R2**

Connection cable RS 232 interface

**ODZ-MAH-CAB-R6**

Connecting cable PS/2 interface

**ODZ-MAH-CAB-B14**

Connecting Cable with USB Interface

**ODZ-MAH200-CODEROUTER**

Code Router Software

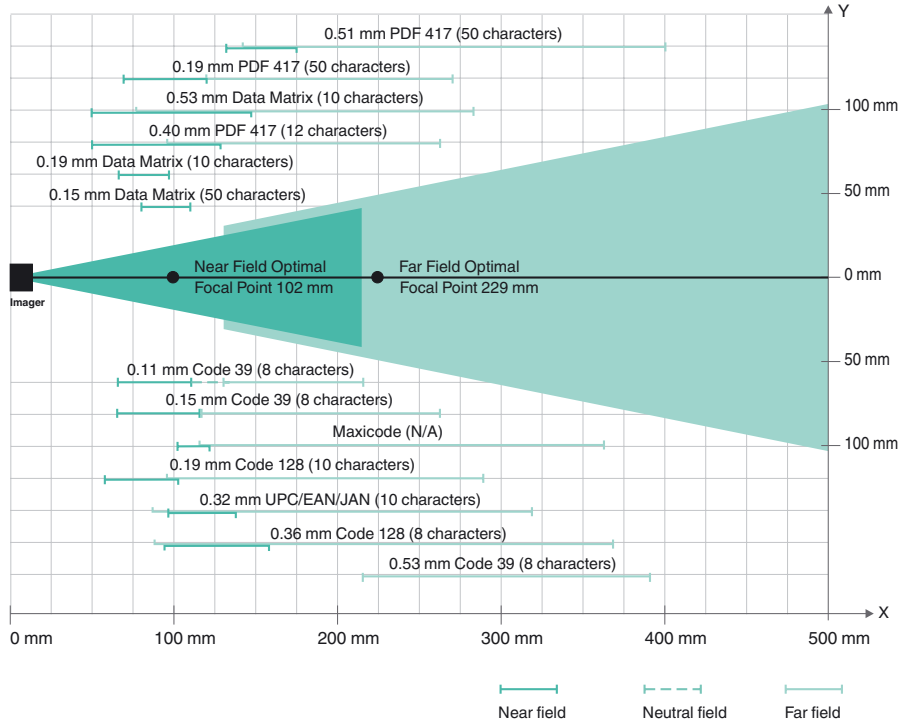
**ODZ-MAH-5V-110V**

Power supply

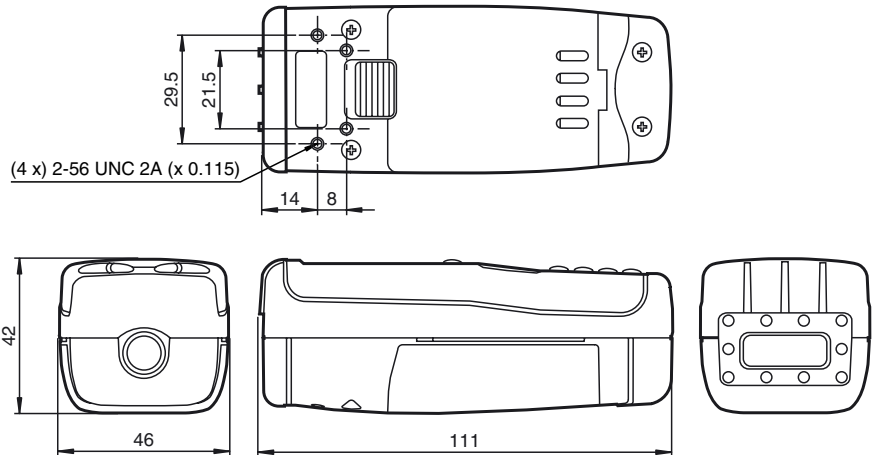
**ODZ-MAH-CHARGER-UM-110V**

Charging tray for ODZ-MAH-GRIP2/GRIP3

**Read range for various symbologies**



**Dimensions**



Release date: 2011-10-07 12:19 Date of issue: 2011-10-07 188303\_eng.xml