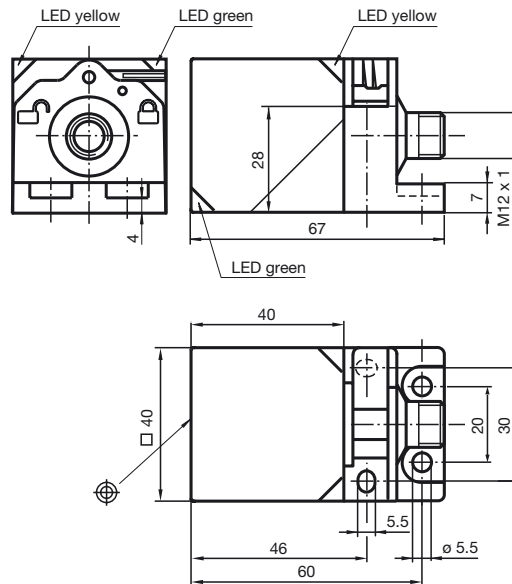


Basic series  
Quick mounting shutter  
4-way LED indicator



General specifications	
Switching element function	PNP Make function
Rated operating distance $s_n$	10 mm
Installation	not embeddable
Actuating element	ferromagnetic pin
Motion velocity	at a distance of 10 mm 0.07 ... 2 m/s at a distance of 15 mm 0.5 ... 2 m/s
Nominal ratings	
Operating voltage $U_B$	10 ... 30 V
Reverse polarity protection	Protected against reverse polarity
Short-circuit protection	pulsing
Voltage drop $U_d$	$\leq 2$ V
Design data	
Operating current $I_L$	0 ... 100 mA
Off-state current $I_r$	0 ... 0.5 mA typ. 0.1 $\mu$ A at 25 °C
No-load supply current $I_0$	$\leq 20$ mA
Operating voltage display	LED, green
Indication of the switching state	LED, yellow
Ambient conditions	
Ambient temperature	0 ... 40 °C (273 ... 313 K)
Storage temperature	-40 ... 85 °C (233 ... 358 K)
Mechanical specifications	
Connection type	V1-connector
Housing material	PA-GF35
Sensing face	PA-GF35
Protection degree	IP69K

### Connection type:

