



**Model Number**

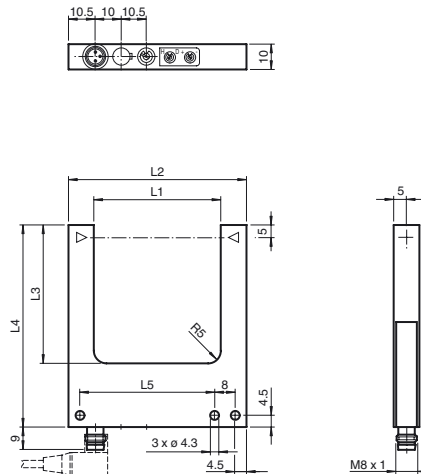
**GL50-RT-3286/32/40a/98a**

Photoelectric slot sensor with 3-pin, M8 x 1 connector

**Features**

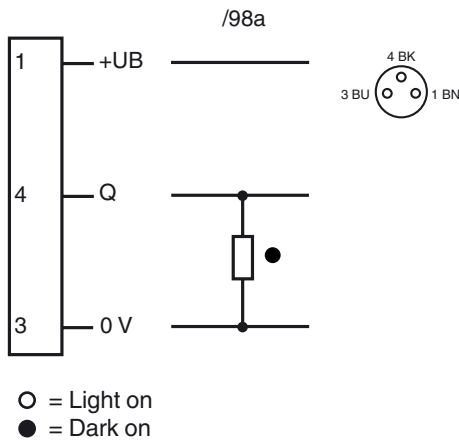
- Optimized for the detection of small parts
- High switching frequency
- Visible red light
- Sensitivity adjuster and light/dark switch as standard features of this series
- Protection degree IP67
- cULus approval
- Diecast zinc housing, powder coated

**Dimensions**



	L1	L2	L3	L4	L5
GL30...	30	50	35	60	33
GL50...	50	70	55	80	53
GL80...	80	100	55	80	83

**Electrical connection**



**Pinout**



Release date: 2012-04-05 17:38 Date of issue: 2012-04-05 187669\_eng.xml

**Technical data****General specifications**

Light source	LED
Light type	modulated visible red light
Approvals	CE, cULus
Tests	EN 60947-5-2
Target size	0.4 mm
Fork width	50 mm
Ambient light limit	100000 Lux

**Indicators/operating means**

Function display	LED red in connector
Controls	Sensitivity adjuster, light/dark switch

**Electrical specifications**

Operating voltage	$U_B$	10 ... 30 V DC, class 2
Ripple		10 %
No-load supply current	$I_0$	15 mA

**Output**

Switching type	light/dark on	
Signal output	1 PNP, short-circuit protected, open collector	
Switching voltage	max. 30 V DC	
Switching current	max. 100 mA	
Repeat accuracy	0.05 mm	
Switching frequency	$f$	3 kHz
Response time		$\leq 160 \mu\text{s}$

**Ambient conditions**

Ambient temperature	-20 ... 60 °C (-4 ... 140 °F)
Storage temperature	-20 ... 75 °C (-4 ... 167 °F)

**Mechanical specifications**

Protection degree	IP67
Connection	M8 connector, 3-pin
Material	
Housing	powder coated diecast zinc
Optical face	glass
Mass	60 g

**Accessories****V3-GM-2M-PUR**

Cable socket, M8, 3-pin, PUR cable

Other suitable accessories can be found at [www.pepperl-fuchs.com](http://www.pepperl-fuchs.com)