



Model Number

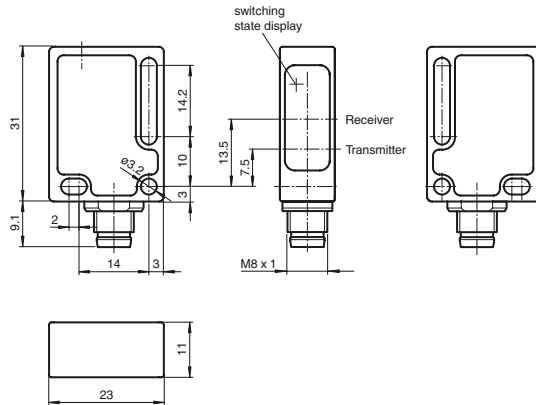
ML8-8-200-RT/103/156

Diffuse mode sensor
with 3-pin, M8 x 1 connector

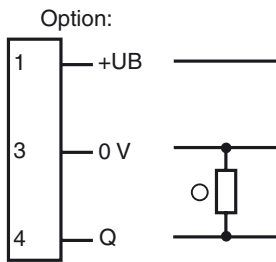
Features

- Miniature design
- Yellow LED indicator behind the front panel
- Flexible mounting possibilities due to slotted hole
- Waterproof, protection degree IP67
- Protection class II

Dimensions



Electrical connection



○ = Light on
● = Dark on

Pinout



Release date: 2011-03-15 14:07 Date of issue: 2011-03-15 185970_ENG.xml

Subject to modifications without notice

Pepperl+Fuchs Group
www.pepperl-fuchs.com

USA: +1 330 486 0001
fa-info@us.pepperl-fuchs.com

Germany: +49 621 776-4411
fa-info@pepperl-fuchs.com

Copyright Pepperl+Fuchs
Singapore: +65 6779 9091
fa-info@sg.pepperl-fuchs.com

Technical data**General specifications**

| | |
|----------------------------|---------------------------------------|
| Detection range | 20 ... 200 mm |
| Reference target | standard white, 100 mm x 100 mm |
| Light source | LED |
| Light type | modulated visible red light |
| Diameter of the light spot | approx. 15 mm at a distance of 200 mm |
| Angle of divergence | approx. 4.5 ° |
| Ambient light limit | 40000 Lux |

Functional safety related parameters

| | |
|--------------------------------|--------|
| MTTF _d | 2340 a |
| Mission Time (T _M) | 20 a |
| Diagnostic Coverage (DC) | 0 % |

Indicators/operating means

| | |
|------------------|-----------------------------|
| Function display | LED yellow: switching state |
|------------------|-----------------------------|

Electrical specifications

| | | |
|------------------------|----------------|--------------------------|
| Operating voltage | U _B | 10 ... 30 V DC , class 2 |
| Ripple | | max. 10 % |
| No-load supply current | I ₀ | < 20 mA |

Output

| | | |
|-------------------|--|------------|
| Switching type | light on | |
| Signal output | 1 PNP output, short-circuit protected, protected from reverse polarity, open collector | |
| Switching voltage | max. 30 V DC | |
| Switching current | max. 100 mA | |
| Voltage drop | U _d | ≤ 1.5 V DC |
| Response time | | 1.8 ms |

Ambient conditions

| | |
|---------------------|--------------------------------|
| Ambient temperature | -20 ... 60 °C (-4 ... 140 °F) |
| Storage temperature | -40 ... 75 °C (-40 ... 167 °F) |

Mechanical specifications

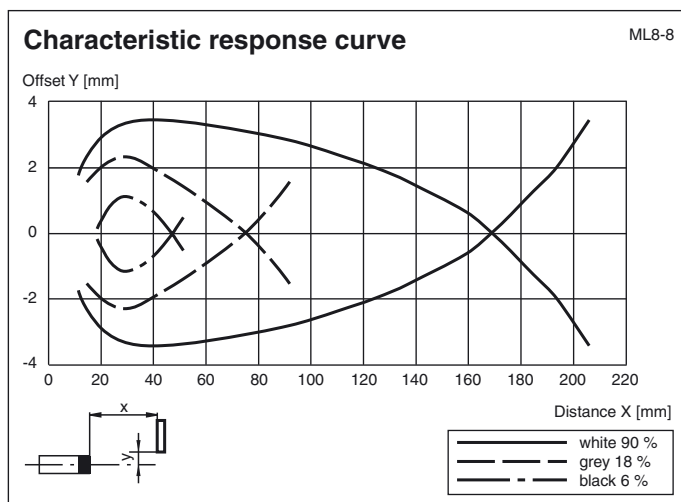
| | |
|-------------------|--------------------------------------|
| Protection degree | IP67 |
| Connection | M8 x 1 connector, 3-pin |
| Material | |
| Housing | PC (glass-fiber-reinforced Makrolon) |
| Optical face | PMMA |
| Mass | approx. 10 g |

Compliance with standards and directives

| | |
|----------------------|---------------------------|
| Directive conformity | EMC Directive 2004/108/EC |
| Standard conformity | |
| Product standard | EN 60947-5-2:2007 |
| Protection degree | EN 60529 |
| Standards | EN 50178, UL 508 |

Approvals and certificates

| | |
|------------------|--|
| Protection class | II, rated voltage ≤ 250 V AC with pollution degree 1-2 according to IEC 60664-1 |
| UL approval | cULus Listed, Class 2 Power Source, Type 1 enclosure |
| CCC approval | Products with a maximum operating voltage of ≤36 V do not bear a CCC marking because they do not require approval. |

Curves/Diagrams**Accessories****Montagekit OMH-ML7-01**

Mounting set consisting of bracket OMH-ML-01 sheet ONH-ML7-03, and fastening material

Montagekit OMH-ML7-02

Mounting set consisting of bracket OMH-ML-02 sheet ONH-ML7-03, and fastening material

OMH-ML7-01

Mounting bracket

OMH-ML7-02

Mounting bracket

OMH-ML7-03

Fixing plate

Other suitable accessories can be found at www.pepperl-fuchs.com

