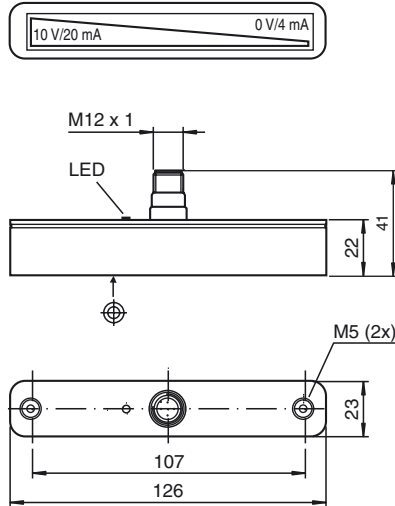
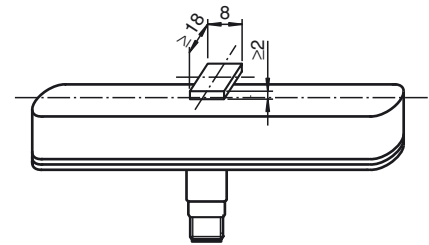


Comfort series
 3 mm embeddable
 Scaleable measurement
 range programmable via
 cable



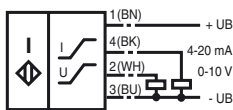
General specifications	
Switching element function	analogue, current or voltage output
Object distance	max. 3 mm
Installation	embeddable
Output polarity	DC
Reduction factor r_{AI}	0.45
Reduction factor r_{Cu}	0.4
Reduction factor r_{V2A}	0.75
Measurement range	0 ... 104 mm
Nominal ratings	
Operating voltage U_B	18 ... 30 V
Reverse polarity protection	protected against reverse polarity
Short-circuit protection	pulsing
Output voltage	0 ... 10 V
Output rated operating current	4 ... 20 mA
Linearity error	± 0.4 mm
Temperature drift	± 0.5 mm (-25 °C ... 70 °C)
Repeat accuracy	± 0.2 mm
Resolution	125 μ m
No-load supply current I_0	≤ 35 mA
Load resistor	voltage output: $> 1000 \Omega$ current output: $< 400 \Omega$
Operating voltage display	LED green
Standard conformity	
EMC in accordance with	IEC / EN 60947-5-2:2004
Standards	IEC / EN 60947-5-2:2004
Ambient conditions	
Ambient temperature	-25 ... 70 °C (248 ... 343 K)
Mechanical specifications	
Connection type	M12 connector
Housing material	ABS
Protection degree	IP67
Protection class	II
Note	The data relating to accuracy only apply to a distance to the object to be detected of 1 ... 3 mm.

dimensions for the target object:



Connection type:

IU



Core colours in accordance with
 EN 60947-5-2.