



Model Number

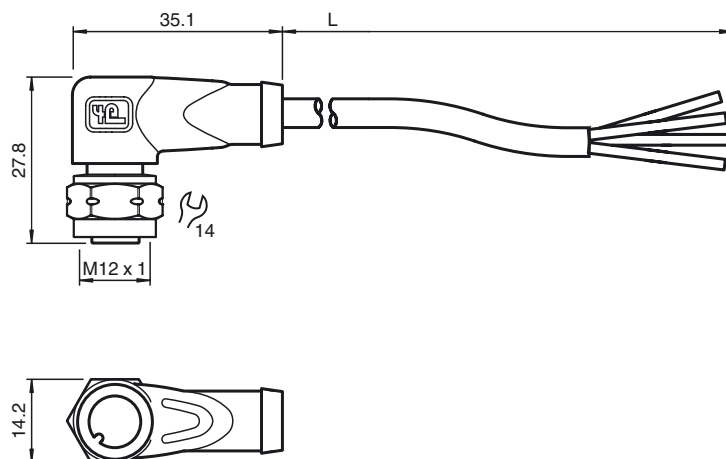
V1-WV2A-5M-PVC

Cable socket, M12, Stainless steel
1.4305 / AISI 303, 4-pin, PVC cable

Features

- Coupling nut V4A
- Gold plated contacts
- Suitable for 2-, 3- and 4-wire technology

Dimensions



Technical data

General specifications

Number of pins	4
Connection 1	female connector
Construction type 1	right angle
Threading 1	M12
Connection 2	cable end

Electrical specifications

Operating voltage	U_B	max. 300 V DC
Test voltage		> 1500 V _{eff} AC
Operating current		max. 4 A
Volume resistance		< 5 mΩ

Ambient conditions

Ambient temperature	-25 ... 100 °C (-13 ... 212 °F) for temperatures over 80 °C (176 °F) reduced elongation at tear
Pollution Degree	3

Mechanical specifications

Contact elements	spring-loaded contact socket	
Pin diameter	1 mm	
Protection degree	IP67 / IP68 / IP69k	
Material		
Contacts	CuSn / Au	
Contact surface	Au	
Body	TPU, green	
Cable	PVC	
Slotted nut	stainless steel V4A	
Core insulation	PVC	
Cable	fine-strand, flexible	
Sheath diameter	Ø4.8 mm	
Bending radius	> 10 x cable diameter, appropriate for conveyor chains	
Color	grey	
Cores	4 x 0.34 mm ²	
Conductor construction	19 x 0.15 mm Ø	
Length	L	5 m
Flammability		
Contact material	94 V-2	
Housing	94 V-2	

Electrical connection

