



ML4.1-8-H-60-RT/30/95

Diffuse mode sensor with background suppression

ML4.1-8-H-60-RT/30/95

with M8, 4-pin metal connector



- ◆ Miniature design
- ◆ Precise background suppression
- ◆ Very small black-white difference
- ◆ Red light design
- ◆ Not sensitive to ambient light, even with switched energy saving lamps

General specifications

Detection range	10 ... 60 mm
Light source	LED
Black/White difference (6%/90%)	approx. 20 mm
Approvals	CE, cULus
Background suppression	starts from 80 mm
Light type	red, modulated light
Diameter of the light spot	6 mm
Angle of divergence	approx. 6 °
Ambient light limit	40000 Lux

Indicators/operating means

Operating display	LED, green
Function display	LED yellow, lights up with receiver lit

Electrical specifications

Operating voltage	10 ... 30 V DC
Ripple	10 %
No-load supply current I ₀	25 mA

Output

Switching type	Light/dark on selectable electrically switchable
Signal output	NPN, open collector short-circuit proof protected against reverse polarity
Switching voltage	max. 30 V DC
Switching current	max. 200 mA
Switching frequency f	500 Hz
Response time	1 ms

Standard conformity

Standards	EN 60947-5-2
-----------	--------------

Ambient conditions

Ambient temperature	-20 ... 60 °C (253 ... 333 K)
Storage temperature	-20 ... 75 °C (253 ... 348 K)

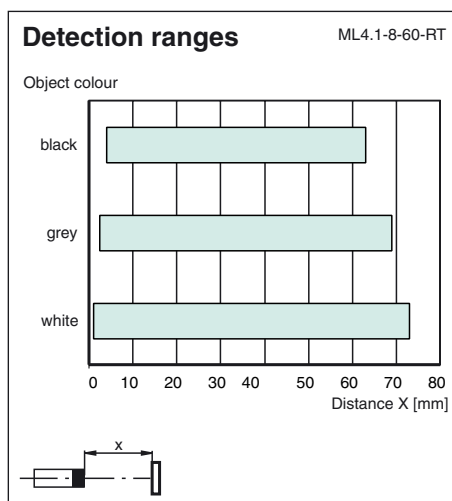
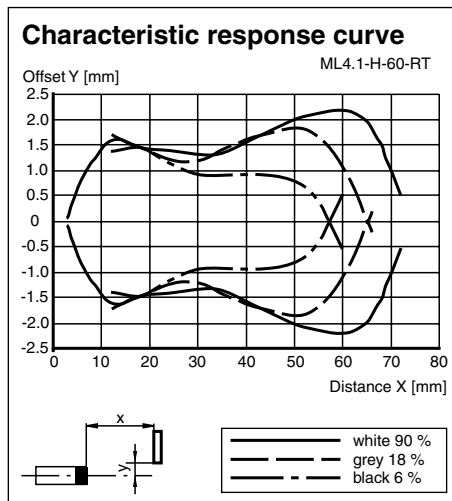
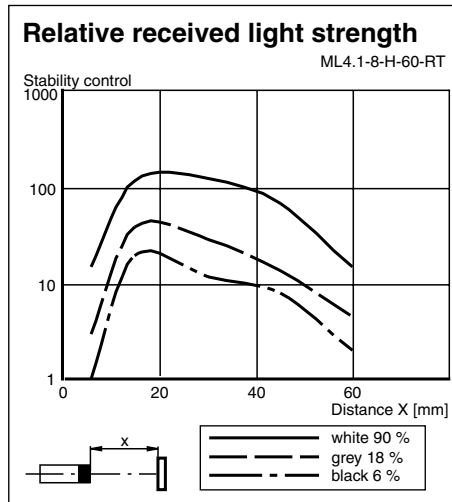
Mechanical specifications

Protection degree	IP65
Connection	M8 connector, 4-pin
Material	
Housing	ABS GV5
Optical face	glass
Mass	15 g

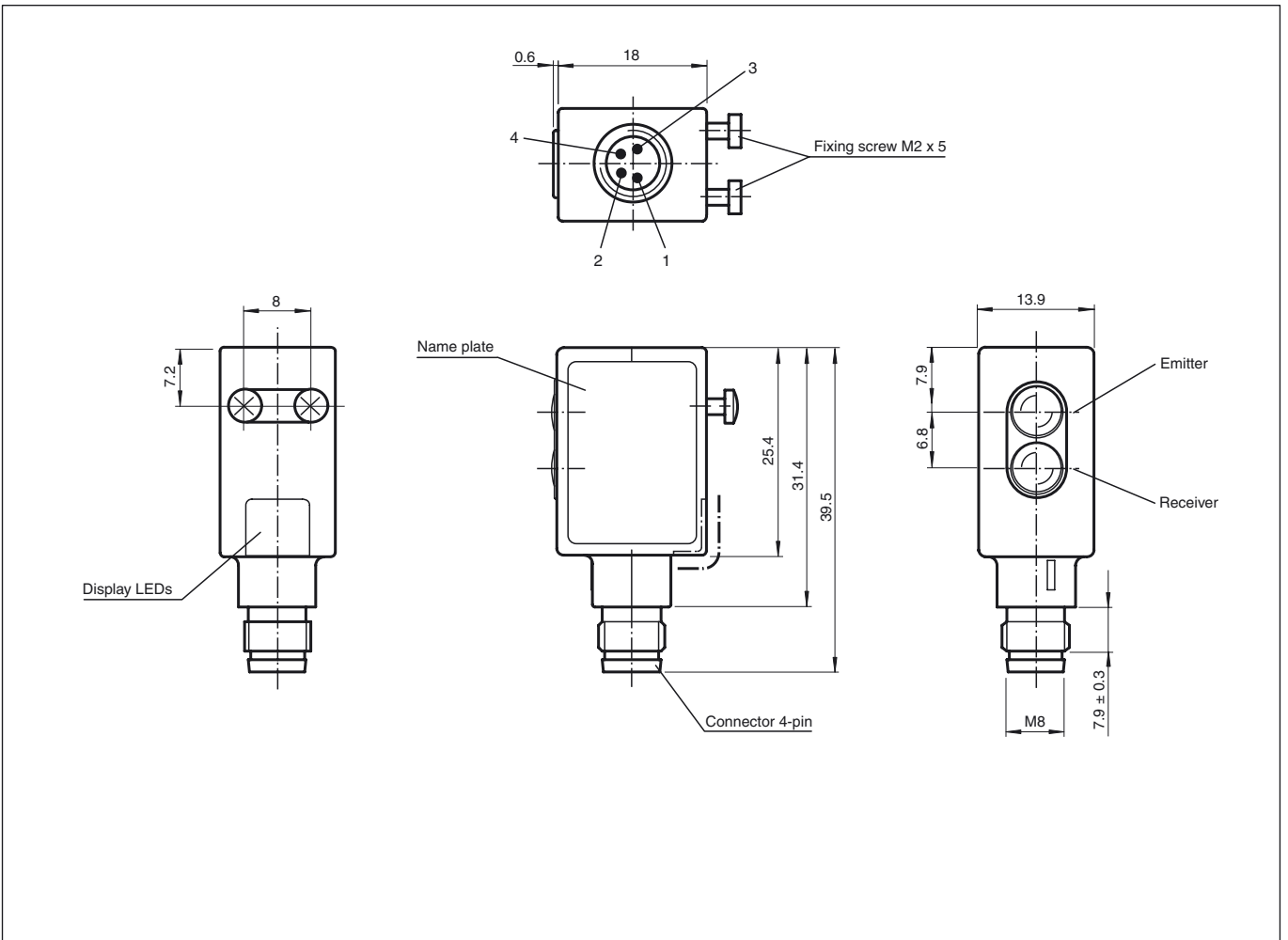
Release date: 2007-05-25 09:55 Date of issue: 2007-05-25 183547_ENG.xml



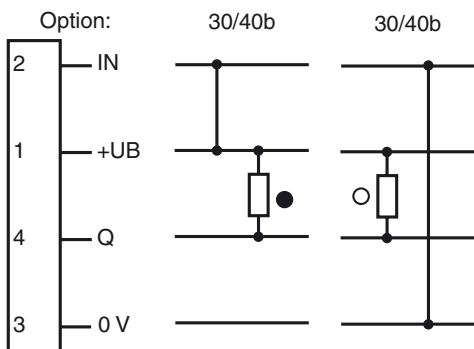
Curves/Diagrams



Dimensions



Electrical connection



○ = light on, ● = dark on

Release date: 2007-05-25 09:55 Date of issue: 2007-05-25 183547_ENG.xml