



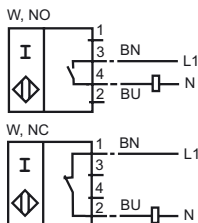
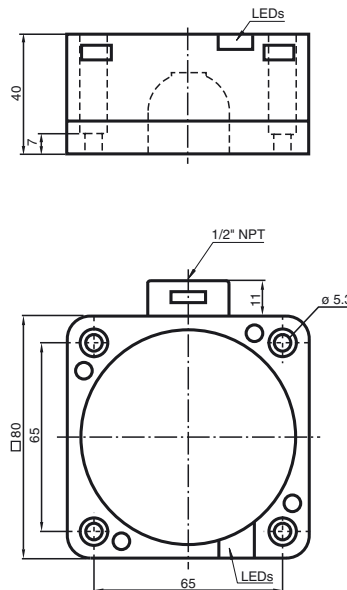
CE

**Model Number**

NCN50-FP-W-P2

**Features**

- Comfort series
- 50 mm not embeddable

**Connection****Dimensions****Technical Data****General specifications**

Switching element function	ACMake/Break function
Rated operating distance	$s_n$ 50 mm
Installation	not embeddable
Output polarity	AC
Assured operating distance	$s_a$ 0 ... 40.5 mm
Reduction factor $r_{Al}$	0.4
Reduction factor $r_{Cu}$	0.3
Reduction factor $r_{V2A}$	0.85

**Nominal ratings**

Operating voltage	$U_B$	20 ... 253 V
Switching frequency	$f$	0 ... 20 Hz
Hysteresis	$H$	typ. 3 %
Short-circuit protection		no
Voltage drop	$U_d$	$\leq 5$ V typ. 4V
Momentary current (20 ms, 0.1 Hz)		$\leq 4000$ mA
Operating current	$I_L$	5 ... 500 mA
Off-state current	$I_r$	0.3 ... 1 mA typ. 0.7 mA
Operating voltage display		LED, green
Indication of the switching state		LED, yellow

**Ambient conditions**

Ambient temperature	-25 ... 70 °C (248 ... 343 K)
---------------------	-------------------------------

**Mechanical specifications**

Connection type	terminal compartment
Core cross-section	up to 2.5 mm <sup>2</sup>
Housing material	PBT
Sensing face	PBT
Protection degree	IP68
Note	1) In the temperature range below 0 °C, permissible operating voltage $U_b$ 80...253 V Safety fuse $\leq 2$ A (quick-blow) according to IEC 60127-2 Sheet 1 Recommendation: after a short circuit, check that the device is functioning correctly.

**Compliance with standards and directives**

Standard conformity	
Standards	EN 60947-5-2:2007 IEC 60947-5-2:2007