



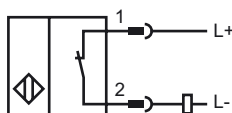
Model Number

NCN50-FP-Z5-V1

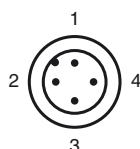
Features

- Comfort series
- 50 mm not embeddable

Connection



Pinout



Wire colors in accordance with EN 60947-5-2

1	BN
2	WH
3	BU
4	BK

Accessories

V1-G

Non pre-wired cable socket

V1-W

Non pre-wired cable socket

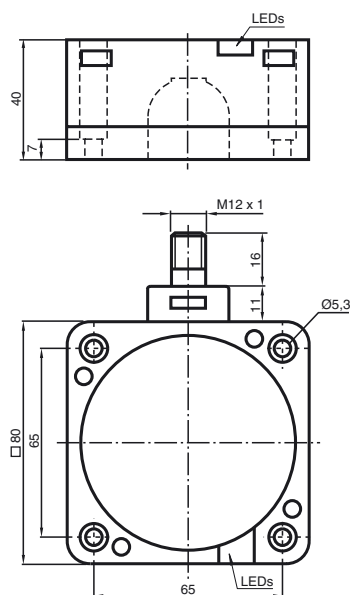
V1-W-2M-PUR

Cable connector

V1-G-2M-PUR

Cable connector

Dimensions



Technical Data

General specifications

Switching element function		NC
Rated operating distance	s_n	50 mm
Installation		not embeddable
Output polarity		DC
Assured operating distance	s_a	0 ... 40.5 mm
Reduction factor r_{AI}		0.4
Reduction factor r_{Cu}		0.35
Reduction factor r_{V2A}		0.8

Nominal ratings

Operating voltage	U_B	10 ... 60 V
Switching frequency	f	0 ... 80 Hz
Hysteresis	H	0 ... 20 typ. 5 %
Reverse polarity protection		protected against reverse polarity
Short-circuit protection		pulsing
Voltage drop	U_d	≤ 4.3 V
Operating current	I_L	2 ... 200 mA
Off-state current	I_r	0.4 ... 1 mA typ. 0.6 mA
Indication of the switching state		LED, yellow

Standard conformity

Standards	IEC / EN 60947-5-2:2004
-----------	-------------------------

Ambient conditions

Ambient temperature	-25 ... 70 °C (248 ... 343 K)
Storage temperature	-25 ... 85 °C (248 ... 358 K)

Mechanical specifications

Connection type	V1-connector
Housing material	PBT
Sensing face	PBT
Protection degree	IP67