



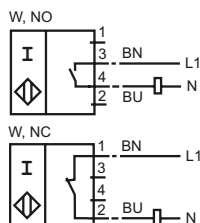
Model Number

NJ15+U3+W-T

Features

- Temperature range -25 ... 100 °C
- 15 mm embeddable

Connection



Accessories

V1-M20-80

Receptacles

V1-G

Non pre-wired cable socket

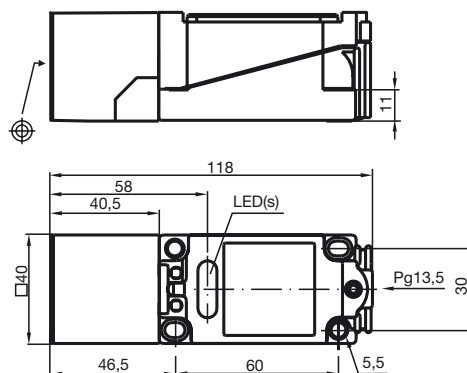
V1-W

Non pre-wired cable socket

MHW 01

Mounting aid

Dimensions



Technical Data

General specifications

| | |
|----------------------------|-----------------------|
| Switching element function | ACMake/Break function |
| Rated operating distance | s_n 15 mm |
| Installation | embeddable |
| Output polarity | AC |
| Assured operating distance | s_a 0 ... 12.15 mm |
| Reduction factor r_{Al} | 0.4 |
| Reduction factor r_{Cu} | 0.3 |
| Reduction factor r_{V2A} | 0.85 |

Nominal ratings

| | | |
|-----------------------------------|-------|----------------------------|
| Operating voltage | U_B | 20 ... 253 V ¹⁾ |
| Switching frequency | f | 0 ... 25 Hz |
| Hysteresis | H | typ. 3 % |
| Voltage drop | U_d | ≤ 7 V |
| Momentary current (20 ms, 0.1 Hz) | | 0 ... 4000 mA |
| Operating current | I_L | 10 ... 500 mA |
| Off-state current | I_r | 0 ... 3 mA typ. |
| Operating voltage display | | LED, green |
| Indication of the switching state | | LED, yellow |

Standard conformity

| | |
|-----------|-------------------------|
| Standards | IEC / EN 60947-5-2:2004 |
|-----------|-------------------------|

Ambient conditions

| | |
|---------------------|--------------------------------|
| Ambient temperature | -25 ... 100 °C (248 ... 373 K) |
|---------------------|--------------------------------|

Mechanical specifications

| | |
|--------------------|---------------------------|
| Connection type | terminal compartment |
| Core cross-section | up to 2.5 mm ² |
| Housing material | PBT/metal |
| Sensing face | PBT |
| Protection degree | IP68 |

| | |
|------|---|
| Note | ¹⁾ In the temperature range below 0 °C, permissible operating voltage U_b 80...253 V Safety fuse ≤ 2 A (quick-blow) according to IEC 60127-2 Sheet 1 Recommendation: after a short circuit, check that the device is functioning correctly. |
|------|---|