



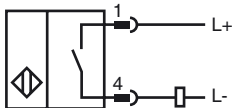
Model Number

NBB20-L2-Z4-C-V1

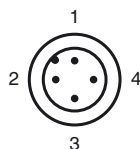
Features

- 20 mm embeddable
- 2-wire DC
- Weld Immune
- Quick mounting bracket

Connection



Pinout



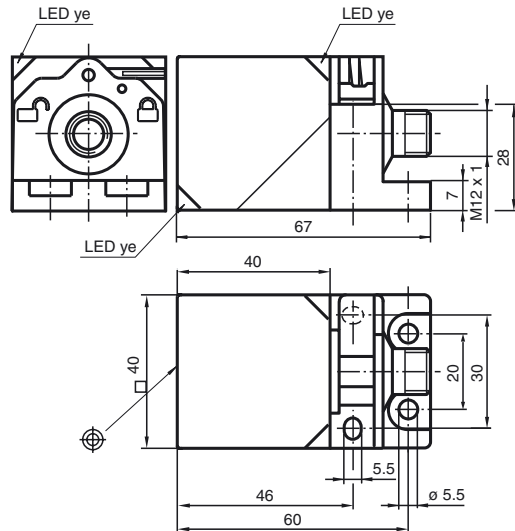
Wire colors in accordance with EN 60947-5-2

- | | | |
|---|----|---------|
| 1 | BN | (brown) |
| 2 | WH | (white) |
| 3 | BU | (blue) |
| 4 | BK | (black) |

Accessories

- V1-G**
4-pin, M12 female field-attachable connector
- V1-W**
4-pin, M12 female field-attachable connector
- V1-G-2M-PUR**
Cable socket, M12, 4-pin, PUR cable
- V1-W-2M-PUR**
Cable socket, M12, 4-pin, PUR cable
- MH 02-L**
Mounting aid
- MHW 01**
Modular mounting bracket

Dimensions



Technical Data

General specifications

Switching element function	NO
Rated operating distance	s_n 20 mm
Installation	embeddable
Assured operating distance	s_a 0 ... 16.2 mm
Reduction factor r_{Al}	0.33
Reduction factor r_{Cu}	0.31
Reduction factor r_{303}	0.74
Reduction factor r_{Brass}	0.41

Nominal ratings

Operating voltage	U_B	3.8 ... 30 V DC
Switching frequency	f	0 ... 3 Hz
Hysteresis	H	typ. 5%
Reverse polarity protected		reverse polarity protected
Short-circuit protection		pulsing
Voltage drop	U_d	≤ 3.8 V
Operating current	I_L	2 ... 100 mA
Off-state current	I_r	0 ... 0.6 mA
Indication of the switching state		LED, yellow

Ambient conditions

Ambient temperature	-25 ... 70 °C (-13 ... 158 °F)
Storage temperature	-25 ... 85 °C (-13 ... 185 °F)

Mechanical specifications

Connection type	Device connector M12 x 1 , 4-pin
Housing material	PA
Sensing face	PA
Protection degree	IP69K
Mass	130 g

Compliance with standards and directives

Standard conformity	
Standards	EN 60947-5-2:2007 IEC 60947-5-2:2007

Approvals and certificates

UL approval	cULus Listed, General Purpose
CSA approval	cCSAus Listed, General Purpose
CCC approval	Products with a maximum operating voltage of ≤ 36 V do not bear a CCC marking because they do not require approval.

Release date: 2011-07-25 10:22 Date of issue: 2011-07-25 182523_eng.xml