



CE

Model Number

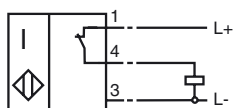
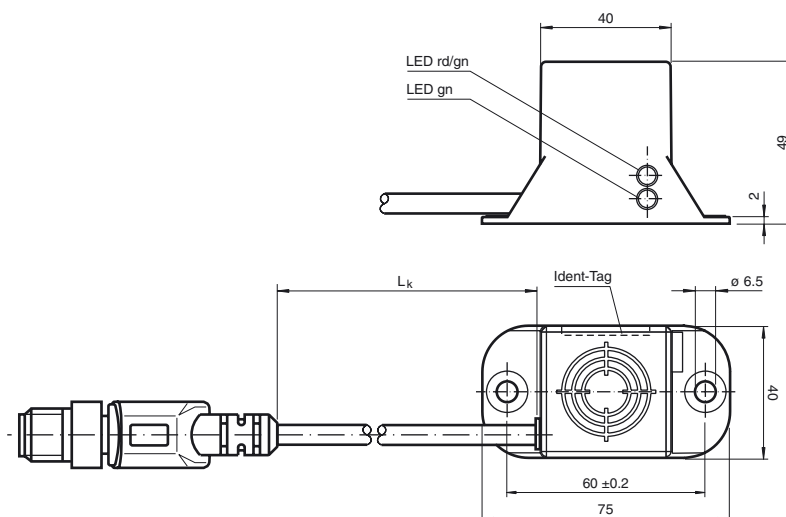
NDN20-F96-EFZ

Features

- With tag for identification system

Connection

EFZ

**Dimensions****Technical Data****General specifications**

Rated operating distance	s_n	20 mm
Installation		non-flush
Output polarity		DC
Assured operating distance	s_a	0 ... 16.2 mm

Nominal ratings

Operating voltage	U_B	24 V DC
Switching frequency	f	0 ... 150 Hz
Reverse polarity protected		reverse polarity protected
Short-circuit protection		pulsing
Operating current	I_L	0 ... 100 mA
No-load supply current	I_0	≤ 26 mA
Operating voltage display		LED, green
Indication of the switching state		Red/green LED: stop/go

Functional safety related parameters

MTTF _d	1370 a
Mission Time (T _M)	20 a
Diagnostic Coverage (DC)	0 %

Ambient conditions

Ambient temperature	0 ... 50 °C (32 ... 122 °F)
---------------------	-----------------------------

Mechanical specifications

Connection type	Cable connector M12 x 1 with cable
Housing material	PA
Sensing face	PA
Protection degree	IP67
Cable length L_K	0.5 m

Compliance with standards and directives

Standard conformity	
Standards	EN 60947-5-2:2007 IEC 60947-5-2:2007

Approvals and certificates

CCC approval	Products with a maximum operating voltage of ≤36 V do not bear a CCC marking because they do not require approval.
--------------	--------------------------------------------------------------------------------------------------------------------