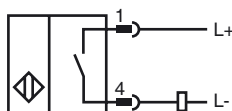
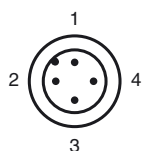


**Model Number**

NBB20-L2-Z4-V1

**Features**

- 20 mm embeddable
- 2-wire DC
- Quick mounting bracket

**Connection****Pinout**

Wire colors in accordance with EN 60947-5-2

1	BN	(brown)
2	WH	(white)
3	BU	(blue)
4	BK	(black)

**Accessories****V1-G**

4-pin, M12 female field-attachable connector

**V1-W**

4-pin, M12 female field-attachable connector

**V1-G-2M-PUR**

Cable socket, M12, 4-pin, PUR cable

**V1-W-2M-PUR**

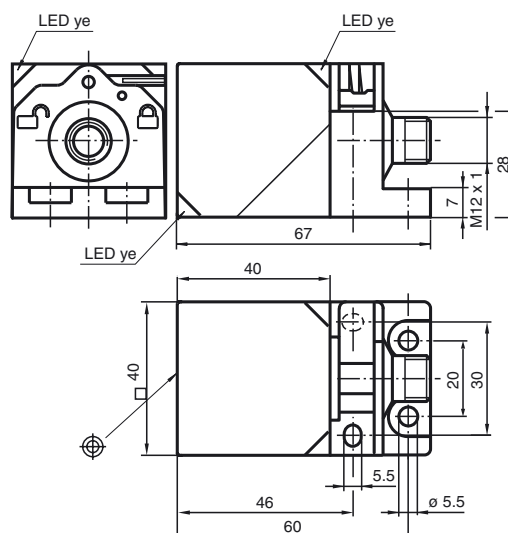
Cable socket, M12, 4-pin, PUR cable

**MHW 01**

Modular mounting bracket

**MH 02-L**

Mounting aid

**Dimensions****Technical Data****General specifications**

Switching element function		NO
Rated operating distance	$s_n$	20 mm
Installation		embeddable
Assured operating distance	$s_a$	0 ... 16.2 mm
Reduction factor $r_{Al}$		0.33
Reduction factor $r_{Cu}$		0.31
Reduction factor $r_{303}$		0.74
Reduction factor $r_{Brass}$		0.41

**Nominal ratings**

Operating voltage	$U_B$	3.8 ... 30 V DC
Switching frequency	$f$	0 ... 30 Hz
Reverse polarity protection		reverse polarity protected
Short-circuit protection		pulsing
Voltage drop	$U_d$	$\leq 3.8$ V
Operating current	$I_L$	2 ... 100 mA
Off-state current	$I_r$	0 ... 0.5 mA
Indication of the switching state		LED, yellow

**Ambient conditions**

Ambient temperature	-25 ... 70 °C (-13 ... 158 °F)
Storage temperature	-25 ... 85 °C (-13 ... 185 °F)

**Mechanical specifications**

Connection type	Device connector M12 x 1, 4-pin
Housing material	PA
Sensing face	PA
Protection degree	IP69K
Mass	130 g

**Compliance with standards and directives**

Standard conformity	
Standards	EN 60947-5-2:2007 IEC 60947-5-2:2007

**Approvals and certificates**

UL approval	cULus Listed, General Purpose
CSA approval	cCSAus Listed, General Purpose
CCC approval	Products with a maximum operating voltage of $\leq 36$ V do not bear a CCC marking because they do not require approval.