



Model Number

ODT-MAC340-HD

Stationary read device for Data Matrix ECC 200 and pharma code

Features

- 25 readings per seconds
- 6 m/s motion speed
- Omni-directional reading
- Progressive scan
- evaluation of up to 256 grey values with adaptive grey value threshold
- VGA output
- High Density zum Lesen kleiner Codes

Accessories

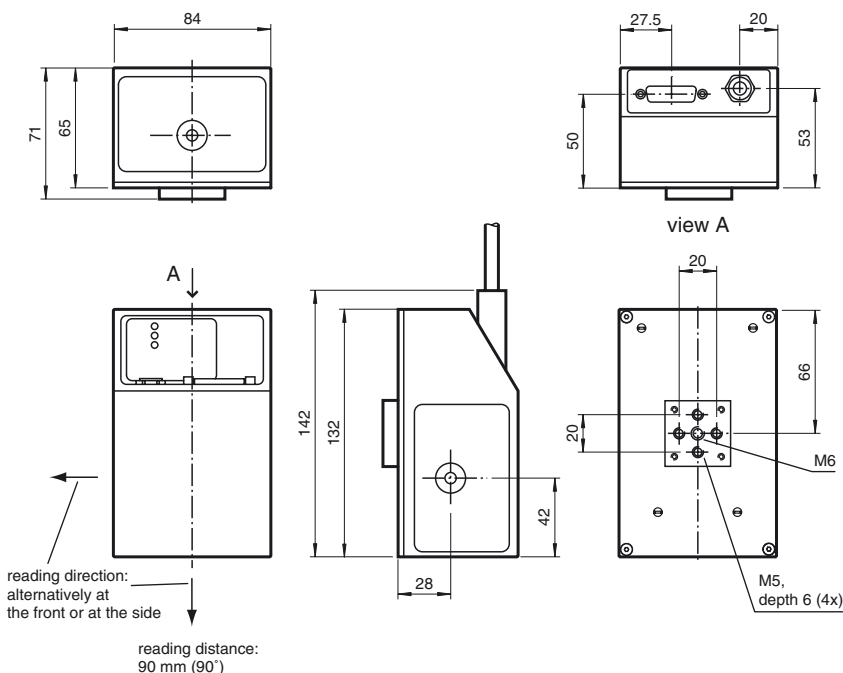
ODZ-MAC-CAB-VIDEO

Video cable

ODZ-MAC-CAB-24V-R2-2M

Connecting cable for power supply/RS 232

Dimensions



Technical data

General specifications

Reading distance	90 mm
Depth of focus	± 5 mm
Reading field	11 mm x 8 mm
Modul size	≥ 0.1 mm
Sensor principle	Camera system
Light type	Integrated LED lightning (red)
Evaluation frequency	25 Hz
Target velocity	triggered ≤ 6 m/s
Symbologies	Pharma code , Data Matrix ECC 200
Data Matrix	
Symbol size	rectangular up to 48 x 48 modules rectangular up to 16 x 48 modules
Data format	ASCII, C40, Text, X12, Edifact, Base 256 , all according to ISO 646
Data capacity	348 numerical, 259 ASCII, 172 Byte
Orientation	omnidirectional

Nominal ratings

Camera	
Type	progressive scan CCD
Chip size	1/3 " (5.84 mm x 4.94 mm)
Number of pixels	640 x 480 pixels
Grey scale	256
Image recording	real-time , Program-controlled or triggered externally
Processor	
Clock pulse frequency	150 MHz
Speed of computation	1200 MIPS
Digital resolution	8 Bit

Indicators/operating means

LED indicator	Trigger, good/poor reading
---------------	----------------------------

Electrical specifications

Operating voltage	24 V DC ± 15% , PELV
Operating current	max. 250 mA

Interface

Physical	RS 232
Protocol	ASCII
Transfer rate	9600 ... 115200 Bit/s

Input

Input voltage	24 V DC ± 15 % PELV
Number/Type	1 Trigger input optional up to 4 inputs
Input current	approx. 1 mA at 24 V DC

Output

Number/Type	2 electronic outputs, PNP , optically decoupled optional up to 4 outputs
Switching voltage	to be applied externally 24 V +/- 15 % PELV
Switching current	100 mA each output

Ambient conditions

Ambient temperature	0 ... 45 °C (273 ... 318 K)
---------------------	-----------------------------

Mechanical specifications

Protection degree	IP20
Connection	Video: socket, 15-pin Supply/interfaces/in- and outputs: 15-pin Sub-D connector
Material	
Housing	anodised aluminium
Mass	approx. 730 g

Compliance with standards and directives

Directive conformity	
EMC Directive 89/336/EEC	EN 61326, EN 61000-6-4
Standard conformity	
Interference rejection	EN 61326:2002-03
Emitted interference	EN 61000-6-4:2001
Protection degree	EN 60529