



Model Number

SL02-X1/GS80-200

Cable pull

Features

- **Direct length and position measurement**
- **Optimal price/power ratio**
- **Simple installation**
- **Sturdy construction**
- **Long lifetime**

Description

The combination of a multiturn absolute rotary encoder and a cable pull is ideal for positioning applications where easy installation and low costs are required.

Pepperl+Fuchs cable pulls incorporate a high precision measuring drum with extremely robust spring return, around which a highly flexible stainless steel is wound. The rotary movement of the measuring drum is transferred to the flanged multiturn absolute rotary encoder via a play-free coupling.

Technical data

General specifications

Measuring range	2000 mm
Travel speed	max. 4 m/s
Drum perimeter	200 mm
Resolution	200 mm / steps per revolution of mounted encoder

Ambient conditions

Ambient temperature	-30 ... 70 °C (-22 ... 158 °F)
Shock resistance	25 g

Mechanical specifications

Shaft dimensions Ø x l	6 mm x 10 mm , servo flange
Rope diameter	0.55 mm
Tension force at rope	5 ... 15 N
Protection degree	IP65

Material

Housing	anodized aluminium
Rope	Stainless steel 1.4401/316L
Mass	1000 g

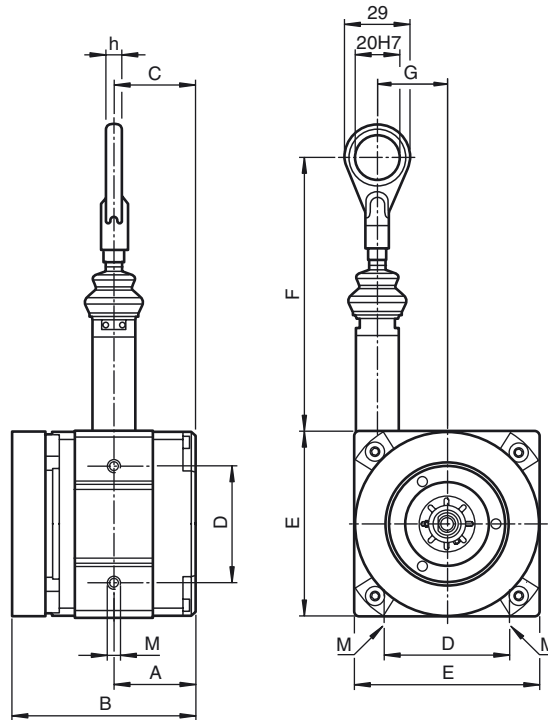
Dimensions

A	34.7 mm
B	78.2 mm
C	34.7 mm
D	50 mm
E	80 mm
F	approx. 115 mm
G	30.5 mm
M	M6 x 7
Life span	10 ⁶ Cycles

General information

Scope of delivery	Cable pull , Coupling
-------------------	-----------------------

Dimensions



Accessories

SL-RP/GS80
Guide pulley

Order code

S L 3 0 0 2 - X B / G S 80 - 200

