



- DIN rail mounting for single HiD2000 I/O module
- Surge and reverse polarity protection
- Connection via screw terminals

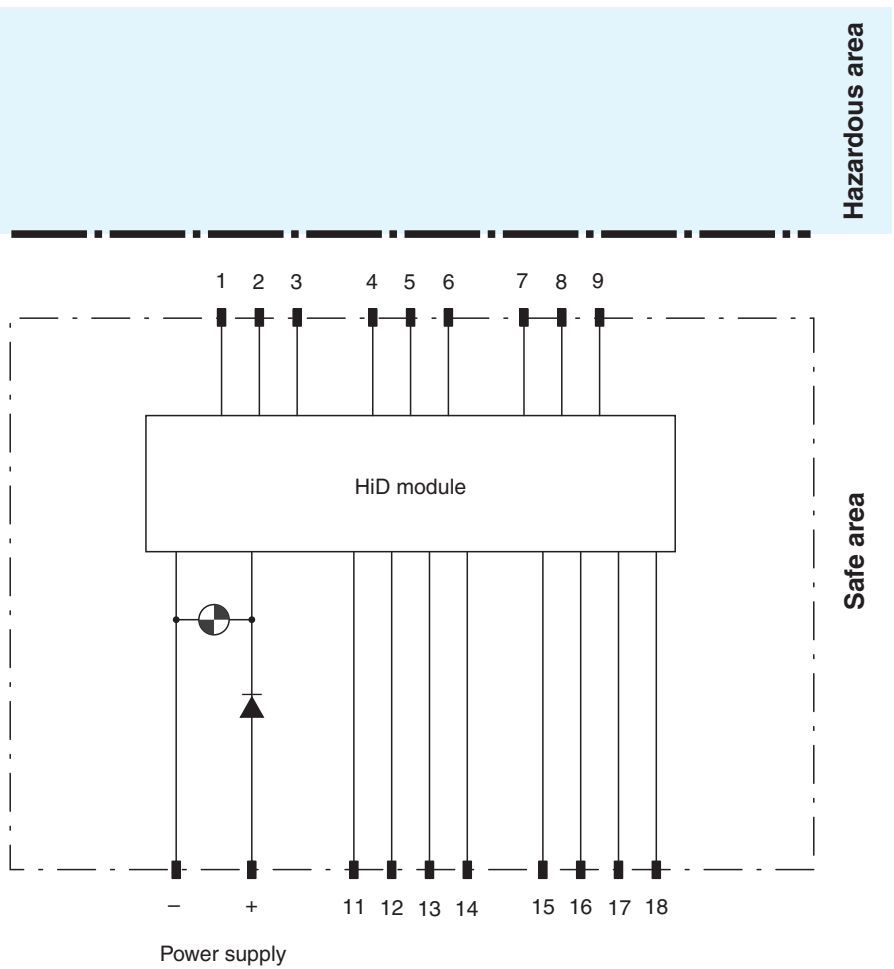
24 V DC
HiD2101/DC

Function

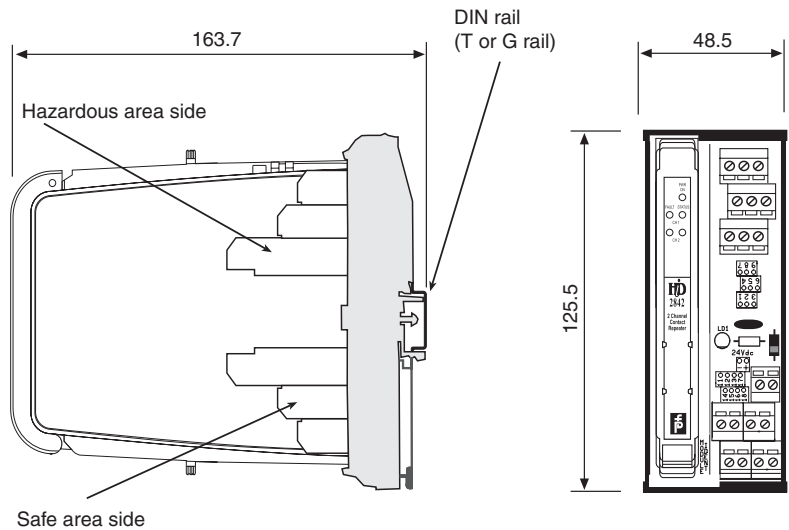
The termination board HiD2101/DC enables the mounting of a single HiD2000 I/O module by a DIN rail adaptor. It is connected by screw terminals.

The possible power supply ranges from 20.4 V DC ... 30 V DC. The termination board contains also a surge protection and a reverse polarity protection.

Connection



Composition



Release date 2006-02-22 15:37 Date of issue 2006-02-22 180077_ENG.xml

Supply	
Rated voltage	20.4 ... 30 V DC
Current consumption	max. 10 mA
Indicators/operating means	
LED indicator	green LED for power on indication
Electrical isolation	
Input/output	1500 V _{rms}
Conformity	
Protection degree	IEC 60529
Ambient conditions	
Ambient temperature	0 ... 60 °C (273 ... 333 K)
Storage temperature	-20 ... 70 °C (253 ... 343 K)
Mechanical specifications	
Connection type	screw terminals
Core cross-section	max. 2.5 mm ²
Housing material	Base support: PVC Side cover: PA
Protection degree	IP20
Mass	approx. 120 g
Dimensions	48.5 x 85 x 125.5 mm (1.9 x 3.3 x 4.9 in)
Mounting	DIN rail
Data for application in conjunction with hazardous areas	
EC-Type Examination Certificate	CESI 02 ATEX 086 , for additional certificates see www.pepperl-fuchs.com
Group, category, type of protection	⊕ II (1) G [EEx ia] IIC [circuit(s) in zone 0/1/2] and EEx nA [ia] IIC T4
Supply	
Safety maximum voltage U _m	250 V AC (Attention! U _m is no rated voltage.)
Electrical isolation	
Input/output	safe electrical isolation acc. to EN 50020, voltage peak value 375 V
Directive conformity	
Directive 94/9 EC	EN 50014, EN 50020
General information	
Supplementary information	EC-Type Examination Certificate, Statement of Conformity, Declaration of Conformity and instructions have to be observed. For information see www.pepperl-fuchs.com .