



- DIN rail mounting for single HiD2000 I/O module
- 1 A fuse protected
- Short-circuit and over-temperature protection
- Connection via screw terminals

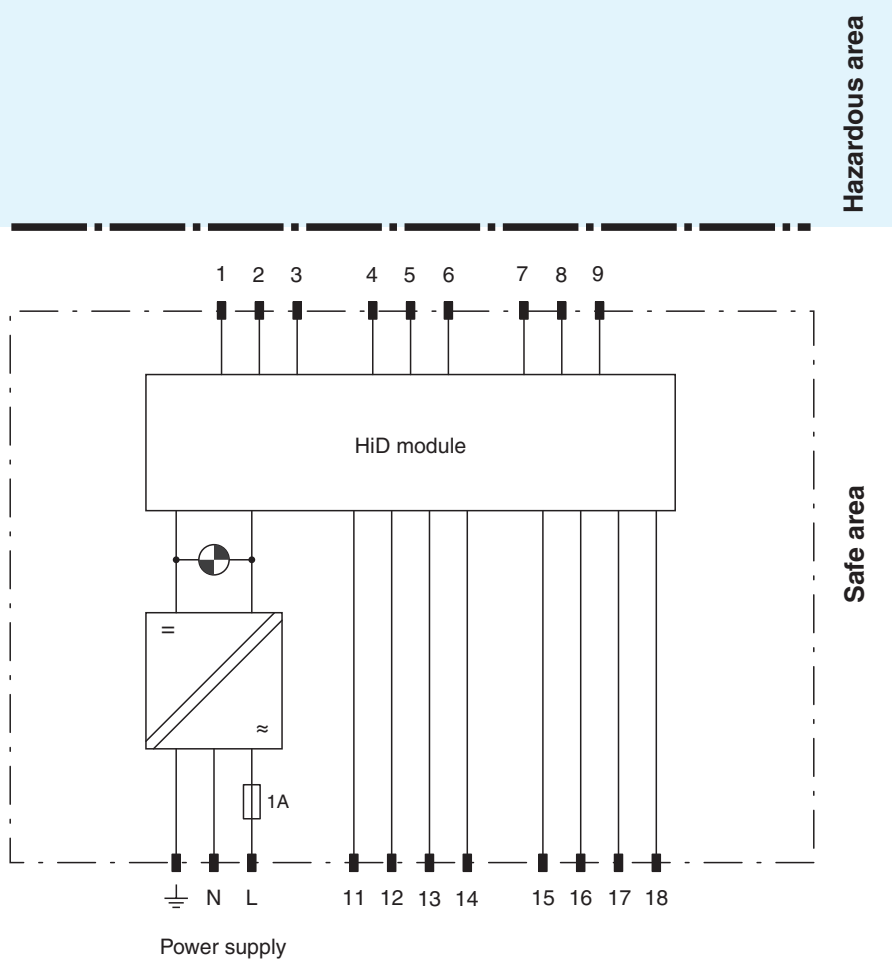
85 V AC ... 250 V AC  
HiD2101/AC

**Function**

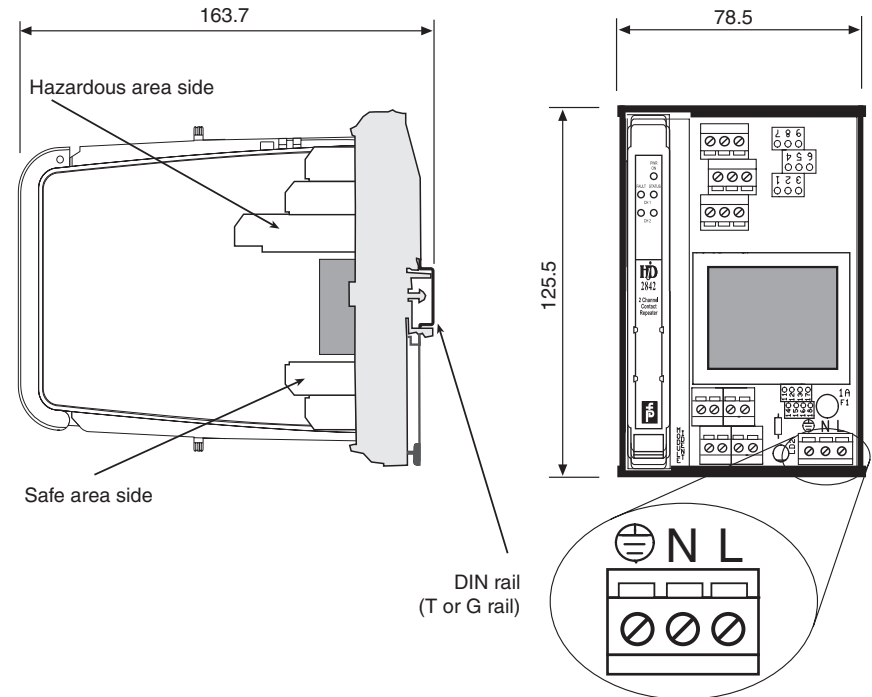
The termination board HiD2101/AC enables the mounting of a single HiD2000 I/O module by a DIN rail adaptor. It is connected by screw terminals.

The possible power supply ranges from 85 V AC ... 250 V AC, 50/60 Hz and is protected by a 1A fuse. Also a short-circuit protection and an over temperature protection is provided by the termination board.

**Connection**



**Composition**



Release date 2006-02-22 15:37 Date of issue 2006-02-22 180074\_ENG.xml

<b>Supply</b>	
Rated voltage	85 ... 250 V V AC , 50/60 Hz
Current consumption	max. 110 mA
<b>Indicators/operating means</b>	
LED indicator	green LED for power on indication
<b>Electrical isolation</b>	
Input/output	2500 V <sub>rms</sub>
<b>Directive conformity</b>	
Electromagnetic compatibility Directive 89/336/EC	EN 61000-6-2, EN 61000-6-4
Low voltage Directive 73/23/EEC	EN 60950
<b>Conformity</b>	
Protection degree	IEC 60529
<b>Ambient conditions</b>	
Ambient temperature	0 ... 60 °C (273 ... 333 K)
Storage temperature	-20 ... 70 °C (253 ... 343 K)
<b>Mechanical specifications</b>	
Connection type	screw terminals
Core cross-section	max. 2.5 mm <sup>2</sup>
Housing material	Base support: PVC Side cover: PA
Protection degree	IP20
Mass	approx. 200 g
Dimensions	78.5 x 85 x 125.5 mm (3.1 x 3.3 x 4.9 in)
Mounting	DIN rail
<b>Data for application in conjunction with hazardous areas</b>	
EC-Type Examination Certificate Group, category, type of protection	CESI 02 ATEX 086 , for additional certificates see <a href="http://www.pepperl-fuchs.com">www.pepperl-fuchs.com</a> ⊕ II (1) G [EEx ia] IIC [circuit(s) in zone 0/1/2]
<b>Supply</b>	
Safety maximum voltage U <sub>m</sub>	250 V AC (Attention! U <sub>m</sub> is no rated voltage.)
<b>Electrical isolation</b>	
Input/other circuits	safe electrical isolation acc. to EN 50020, voltage peak value 375 V
Output/power supply	basic insulation according to EN 60950, rated insulation voltage 300 V <sub>eff</sub>
<b>Directive conformity</b>	
Directive 94/9 EC	EN 50014, EN 50020, EN 50284
<b>General information</b>	
Supplementary information	EC-Type Examination Certificate, Statement of Conformity, Declaration of Conformity and instructions have to be observed. For information see <a href="http://www.pepperl-fuchs.com">www.pepperl-fuchs.com</a> .