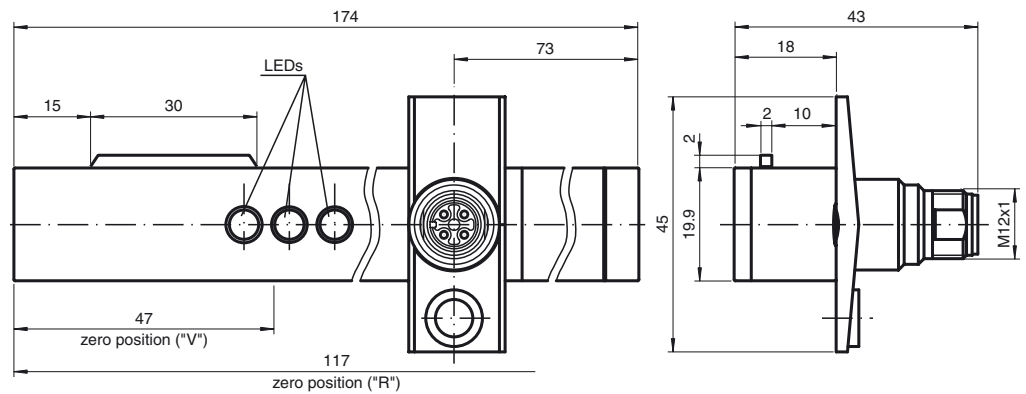


Comfort series
10 mm not embeddable



General specifications	
Switching element function	PNP Dual Make function
Rated operating distance s_n	10 mm
Installation	not embeddable
Assured operating distance s_a	0 ... 8,1 mm
Nominal ratings	
Operating voltage U_B	10 ... 30 V
Hysteresis H	1 ... 10 typ. 5 %
Reverse polarity protection	Protected against reverse polarity
Short circuit protection	pulsing
Voltage drop U_d	≤ 3 V
Operating current I_L	0 ... 100 mA
No-load supply current I_0	≤ 55 mA
Operating voltage display	LED green
Indication of the switching state	LED, yellow
Standard conformity	
EMC in accordance with	EN 60947-5-2
Standards	EN 60947-5-2
Ambient conditions	
Ambient temperature	0 ... 50 °C (273 ... 323 K)
Mechanical specifications	
Connection type	M12 connector
Housing material	PA 6
Protection degree	IP67

Connection type:

E2

