



Model Number

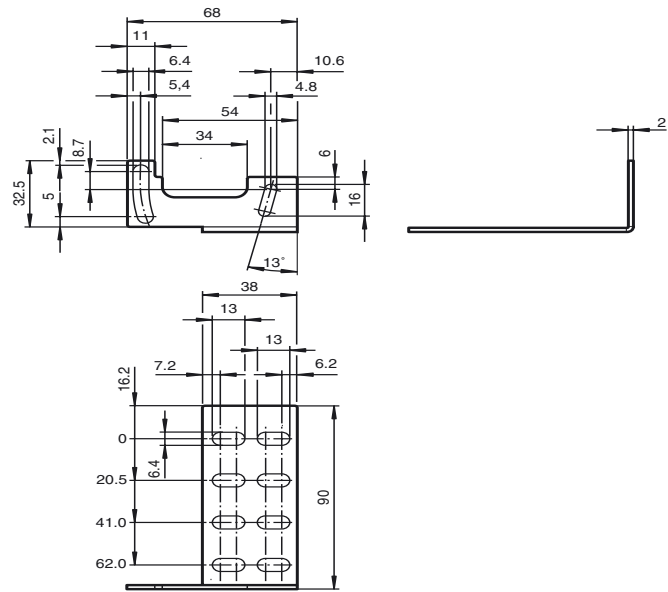
OMH-SBL-01

Mounting bracket for sensors of SBL series

Features

- Mounting bracket
- Simple and fast mounting

Dimensions



Release date: 2009-12-14 09:39 Date of issue: 2009-12-14 133699_ENG.xml



Technical data

Mechanical specifications

Material	Metal sheet (steel), zinc plated
Mass	approx. 70 g