



Model Number

OMH-LS610-01

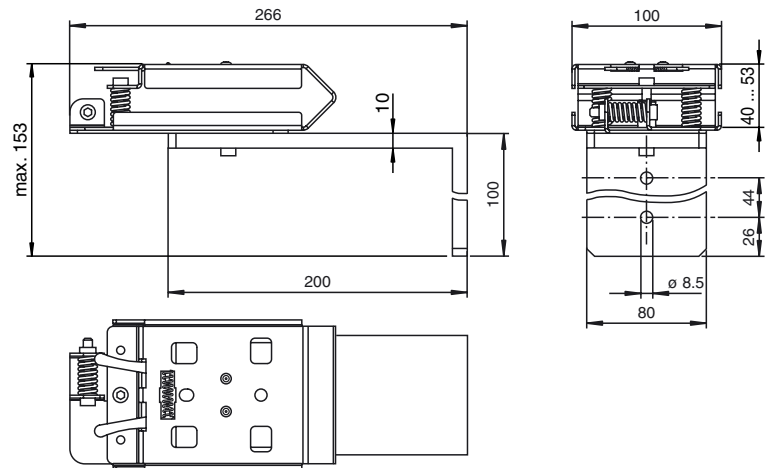
Mounting bracket for optical data coupler

Features

- Fixing with latching spring or latch fastener for easy installation
- Simple and fast mounting

Quick clamp and adjustment system

Dimensions



Technical data

Mechanical specifications

Material	Aluminium, black coated steel, zinc plated black
Mass	approx. 1500 g

Suitable series

Series	LS610 LS611 VDM100
--------	--------------------------