



Model Number

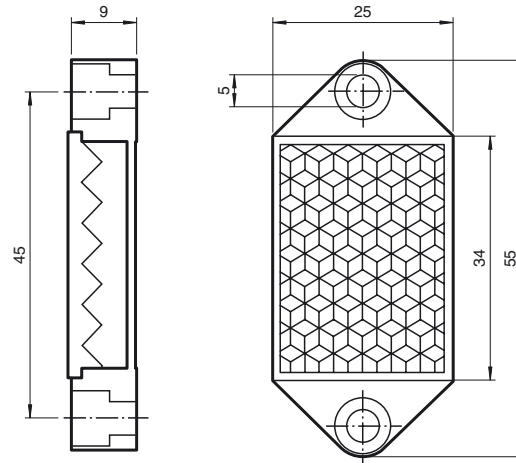
REF-H32

Reflector, hexagonal 55 mm x 25 mm,
mounting holes

Features

- Mounting holes for simple installation

Dimensions



Technical data

General specifications

Construction type hexagonal

Ambient conditions

Ambient temperature -20 ... 60 °C (-4 ... 140 °F)

Mechanical specifications

Material PMMA/ABS

Dimensions 55 mm x 25 mm x 9 mm

Mounting mounting holes