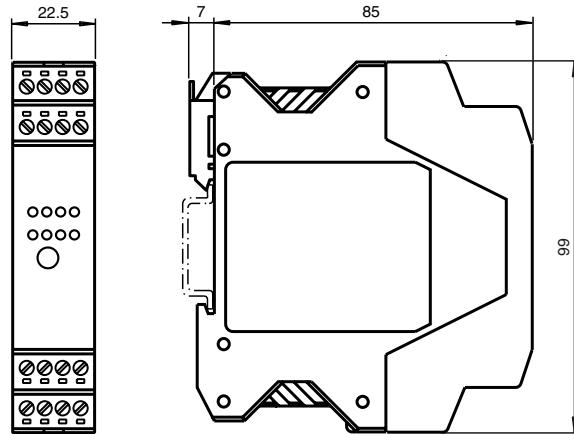
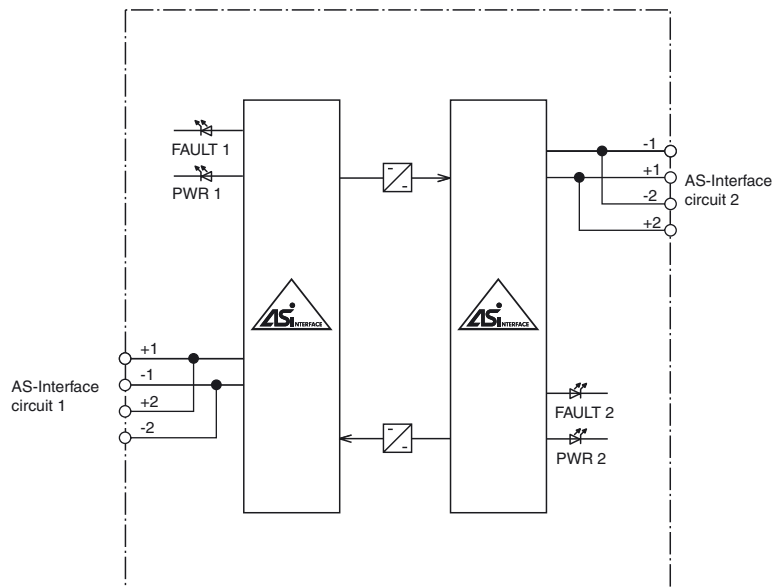




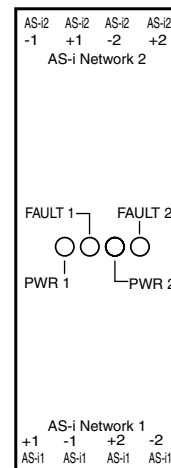
Dimensions



Electrical connection



Indicating / Operating means



Model number

**VAR-KE2**  
AS-Interface repeater

Features

- Line lengthening by 100 m (max. 2 repeater in series)
- Galvanic isolation between AS-Interface circuits 1 and 2
- No parameterization
- Need no specific address on the AS-Interface bus
- Housing with removable terminals

Function

The repeater VAR-KE2 galvanically separates two AS interface circuits, and conditions the AS-Interface signals electrically, which extends the cable length by 100 m. Two repeaters can be cascaded, resulting in a maximum cable length of 300 m. The repeater does not require any parameterisation and no own address in the AS-Interface; the overall number of slaves (31 or 62) per branch remains unchanged.

The housing, only 22.5 mm in width, takes up little place in the switch cabinet. The module is mounted by snapping it on to the 35 mm mounting rail in keeping with European standard EN 50022. Pluggable screw terminals are used for connection. This method of mounting permits easy removal during initial operation or servicing.

On account of the galvanic separation, each segment requires a power supply unit or a power extender.

Two LEDs indicate the correct polarity of the AS-Interface cables; two LEDs indicate any communication errors in the respective AS-Interface circuits.

Release date: 2011-05-06 15:11 Date of issue: 2011-05-06 132066\_ENG.xml

**Technical data****General specifications**

UL File Number	E223772
----------------	---------

**Functional safety related parameters**

MTTF <sub>d</sub>	200 a at 30 °C
-------------------	----------------

**Indicators/operating means**

LED FAULT	error display; LED red red: communication error
LED PWR	AS-Interface voltage; LED green

**Electrical specifications**

Rated operational voltage	U <sub>e</sub>	26.5 ... 31.6 V from AS-Interface
Rated operational current	I <sub>e</sub>	60 mA (per strand element), 120 mA (total)

**Standard conformity**

Electromagnetic compatibility	according EN 50295
-------------------------------	--------------------

**Ambient conditions**

Ambient temperature	0 ... 55 °C (32 ... 131 °F)
Storage temperature	-25 ... 75 °C (-13 ... 167 °F)

**Mechanical specifications**

Protection degree	IP20 according to EN 60529
Connection	removable terminals, terminal connection ≤ 2.5 mm <sup>2</sup>
Material	
Housing	PA 66-FR
Mounting	DIN rail