



Model Number

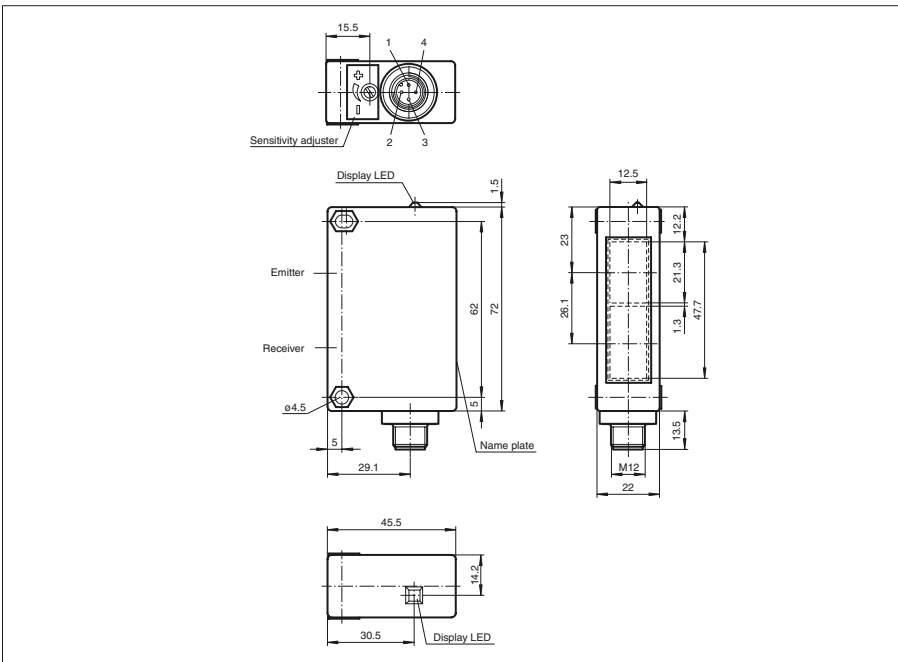
RL32-8-H-800-RT/47/73c

Background suppression sensor with 4-pin, M12 x 1 plastic connector

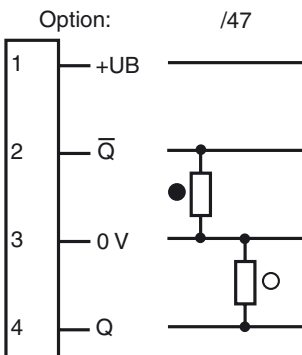
Features

- Adjustable background suppression
- Excellent optical performance data
- Sleek design, especially for storage and conveyor systems
- Scratch-resistant and solvent resistant glass lens

Dimensions



Electrical connection



○ = Light on
● = Dark on

Release date: 2008-05-20 08:48 Date of issue: 2011-01-26 131541_ENG.xml

Technical data

General specifications

Detection range	40 ... 800 mm
Detection range min.	40 ... 300 mm
Detection range max.	40 ... 800 mm
Reference target	standard white 200 mm x 200 mm
Light source	LED
Light type	modulated visible red light
Black/White difference (6%/90%)	< 20 %
Approvals	CE
Diameter of the light spot	approx. 10 mm at 800 mm sensor range
Angle of divergence	approx. 3 °
Ambient light limit	80000 Lux

Functional safety related parameters

MTTF _d	840 a
Mission Time (T _M)	20 a
Diagnostic Coverage (DC)	0 %

Indicators/operating means

Function display	LED yellow, lights up with receiver lit
Controls	Detection range adjuster

Electrical specifications

Operating voltage	U _B	10 ... 30 V DC
Ripple		10 %
No-load supply current	I ₀	40 mA

Output

Switching type	light on	
Signal output	2 PNP, complementary, short-circuit protected, reverse polarity protected	
Switching voltage	30 V DC	
Switching current	max. 200 mA	
Switching frequency	f	250 Hz
Response time		2 ms

Standard conformity

Standards	EN 60947-5-2
-----------	--------------

Ambient conditions

Ambient temperature	-20 ... 60 °C (-4 ... 140 °F)
Storage temperature	-20 ... 60 °C (-4 ... 140 °F)

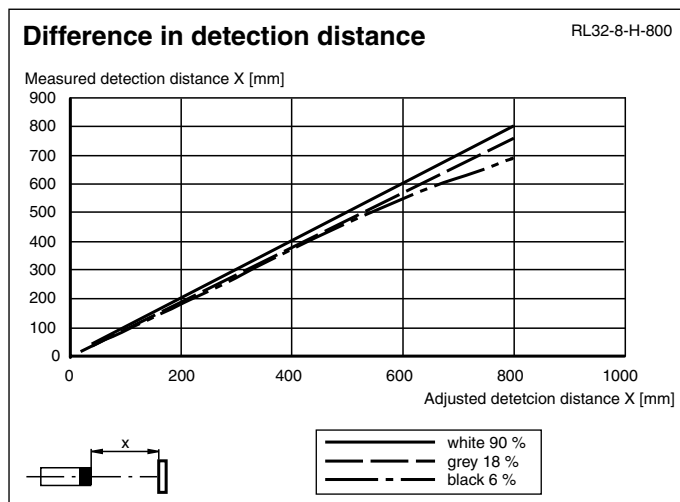
Mechanical specifications

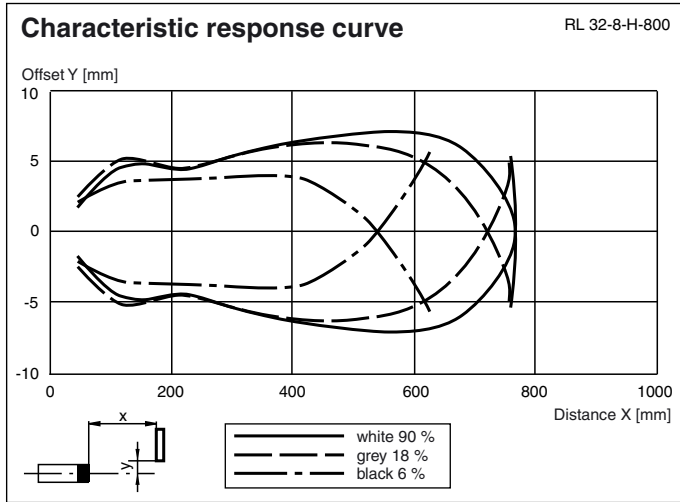
Protection degree	IP65
Connection	Plastic connector M12 x 1, 4-pin
Material	
Housing	Terluran GV15
Optical face	glass
Mass	60 g

Approvals and certificates

CCC approval Products with a maximum operating voltage of ≤36 V do not bear a CCC marking because they do not require approval.

Curves/Diagrams





Release date: 2008-05-20 08:48 Date of issue: 2011-01-26 131541_ENG.xml

Subject to modifications without notice

Pepperl+Fuchs Group
www.pepperl-fuchs.com

USA: +1 330 486 0001
fa-info@us.pepperl-fuchs.com

Germany: +49 621 776-4411
fa-info@pepperl-fuchs.com

Copyright Pepperl+Fuchs

Singapore: +65 6779 9091
fa-info@sg.pepperl-fuchs.com