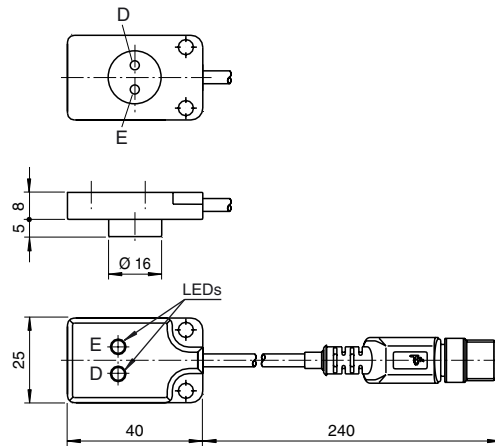


Basic series
 2 mm not embeddable
 Resistant to welding
 Extremely bright LED indicator
 Complete silicon free
 Acc. CNOMO norm
 Cable with M12 plug



General specifications	
Switching element function	DC Make function
Rated operating distance s_n	2 mm
Installation	not embeddable
Assured operating distance s_a	0 ... 1.62 mm
Nominal ratings	
Operating voltage U_B	10 ... 60 V
Switching frequency f	0 ... 1000 Hz
Reverse polarity protection	protected against reverse polarity
Short-circuit protection	yes
Voltage drop U_d	≤ 5 V
Operating current I_L	1.5 ... 100 mA
Off-state current I_r	< 0.6 mA
Indication of the switching state	LED, yellow Engage (close) LED, green Degage (open)
Standard conformity	
Standards	IEC / EN 60947-5-2:2004
Ambient conditions	
Ambient temperature	-25 ... 70 °C (248 ... 343 K)
Mechanical specifications	
Connection type	0.2 m PVC cable with V1 connector
Housing material	PA 6
Protection degree	IP67

Connection type:

Z8

