



### Model Number

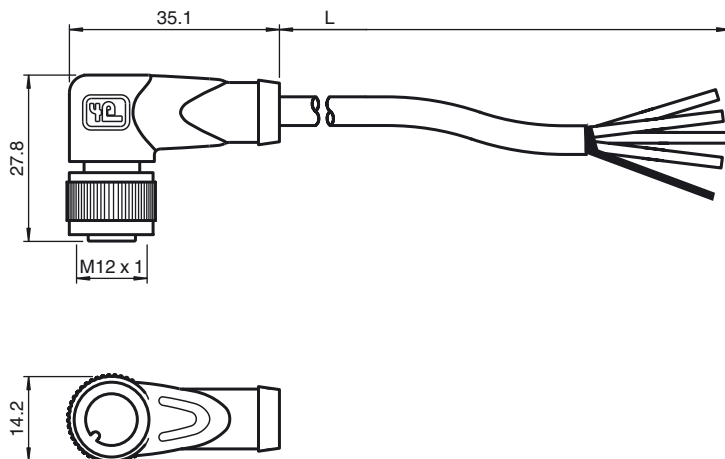
#### V1-W-IVH-15M-PUR-ABG

Cable socket, M12, 4-pin, shielded, PUR cable

### Features

- Connecting cable for read/write head
- Shield attached to coupling nut
- Knurled nut suitable for tool assembly
- Immunity to vibration, with mechanical latching
- Protection degree IP67 / IP68 / IP69K
- Halogen-free

### Dimensions



### Technical data

#### General specifications

Number of pins	4 + shield
Connection 1	female connector
Construction type 1	right angle
Threading 1	M12
Connection 2	cable end

#### Electrical specifications

Operating voltage	$U_B$	max. 250 V AC/DC
Test voltage		> 1500 V <sub>eff</sub> AC
Operating current		max. 4 A
Volume resistance		< 5 mΩ

#### Ambient conditions

Ambient temperature	-40 ... 90 °C (-40 ... 194 °F) cable, flexing: -25 ... 80 °C (-13 ... 176 °F) cable, fixed: -25 ... 80 °C (-13 ... 176 °F)
Pollution Degree	3

#### Mechanical specifications

Protection degree	IP67 / IP68 / IP69K
Material	
Contacts	CuSn / Au
Contact surface	Au
Body	TPU, green
Cable	PUR
Slotted nut	Diecast zinc
Core insulation	PP
Cable	fine-strand, flexible
Sheath diameter	Ø 4.8 mm
Bending radius	> 10 x cable diameter, moving 5 x cable diameter, single bend
Color	grey
Cores	4 x 0.34 mm <sup>2</sup>
Conductor construction	19 x 0.15 mm Ø
Shield	grid covering 85 %
Length	L 5 m
Flammability	
Contact material	94 HB
Housing	94 V-2

### Electrical connection

