



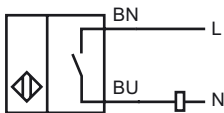
Model Number

NJ25-50-WS-5M

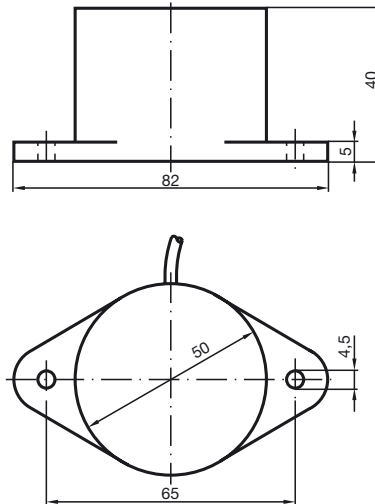
Features

- Comfort series
- 25 mm not embeddable

Connection



Dimensions



Technical Data

General specifications

Switching element function	AC	NO
Rated operating distance	s_n	25 mm
Installation	not embeddable	
Output polarity	AC	
Assured operating distance	s_a	0 ... 20.25 mm
Reduction factor r_{AI}	0.4	
Reduction factor r_{Cu}	0.3	
Reduction factor r_{304}	0.85	

Nominal ratings

Operating voltage	U_B	20 ... 253 V ¹⁾
Switching frequency	f	0 ... 25 Hz
Short-circuit protection	no	
Voltage drop	U_d	≤ 7 V
Momentary current (20 ms, 0.1 Hz)	0 ... 4000 mA	
Operating current	I_L	10 ... 500 mA
Off-state current	I_r	0 ... 2.5 mA typ.

Ambient conditions

Ambient temperature	-25 ... 70 °C (-13 ... 158 °F)
---------------------	--------------------------------

Mechanical specifications

Connection type	cable PVC , 5 m
Core cross-section	0.75 mm ²
Housing material	PBT
Sensing face	PBT
Protection degree	IP67
Note	

¹⁾ In the temperature range below 0 °C, permissible operating voltage U_B 80...253 V
Safety fuse ≤ 2 A (quick-blow) according to IEC 60127-2 Sheet 1
Recommendation: after a short circuit, check that the device is functioning correctly.

Compliance with standards and directives

Standard conformity	
Standards	EN 60947-5-2:2007 IEC 60947-5-2:2007

Approvals and certificates

UL approval	cULus Listed, General Purpose
CSA approval	cCSAus Listed, General Purpose