



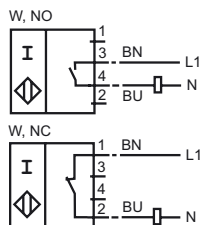
Model Number

NCN40-FP-W-T-P4

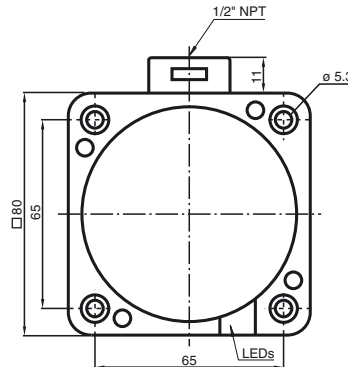
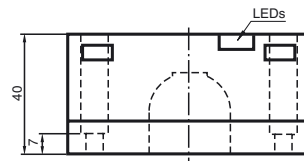
Features

- Temperature range
-25 ... 100 °C
- 40 mm not embeddable

Connection



Dimensions



Technical Data

General specifications

| | |
|----------------------------|-----------------------|
| Switching element function | ACMake/Break function |
| Rated operating distance | s_n 40 mm |
| Installation | not embeddable |
| Output polarity | AC |
| Assured operating distance | s_a 0 ... 32.4 mm |
| Reduction factor r_{Al} | 0.4 |
| Reduction factor r_{Cu} | 0.3 |
| Reduction factor r_{V2A} | 0.85 |

Nominal ratings

| | | |
|--------------------------------------|-------|--------------------------|
| Operating voltage | U_B | 20 ... 253 V |
| Switching frequency | f | 0 ... 20 Hz |
| Hysteresis | H | typ. 3 % |
| Short-circuit protection | | no |
| Voltage drop | U_d | ≤ 5 V typ. 4V |
| Momentary current (20 ms, 0.1 Hz) | | ≤ 3000 mA |
| Operating current | I_L | 5 ... 500 mA |
| Off-state current | I_r | 0.3 ... 1 mA typ. 0.7 mA |
| Operating voltage display | | LED, green |
| Indication of the switching state | | LED, yellow |

Ambient conditions

| | |
|---------------------|--------------------------------|
| Ambient temperature | -25 ... 100 °C (248 ... 373 K) |
|---------------------|--------------------------------|

Mechanical specifications

| | |
|--------------------|--|
| Connection type | terminal compartment |
| Core cross-section | up to 2.5 mm ² |
| Housing material | PBT/base of metal |
| Sensing face | PBT |
| Protection degree | IP68 |
| Note | 1) In the temperature range below 0 °C, permissible operating voltage U_b 80...253 V Safety fuse ≤ 2 A (quick-blow) according to IEC 60127-2 Sheet 1 Recommendation: after a short circuit, check that the device is functioning correctly. |

Compliance with standards and directives

| | |
|---------------------|---|
| Standard conformity | |
| Standards | EN 60947-5-2:2007 IEC 60947-5-2:2007 |

Approvals and certificates

| | |
|--------------|---|
| CCC approval | Certified by China Compulsory Certification (CCC) |
|--------------|---|