



### Model Number

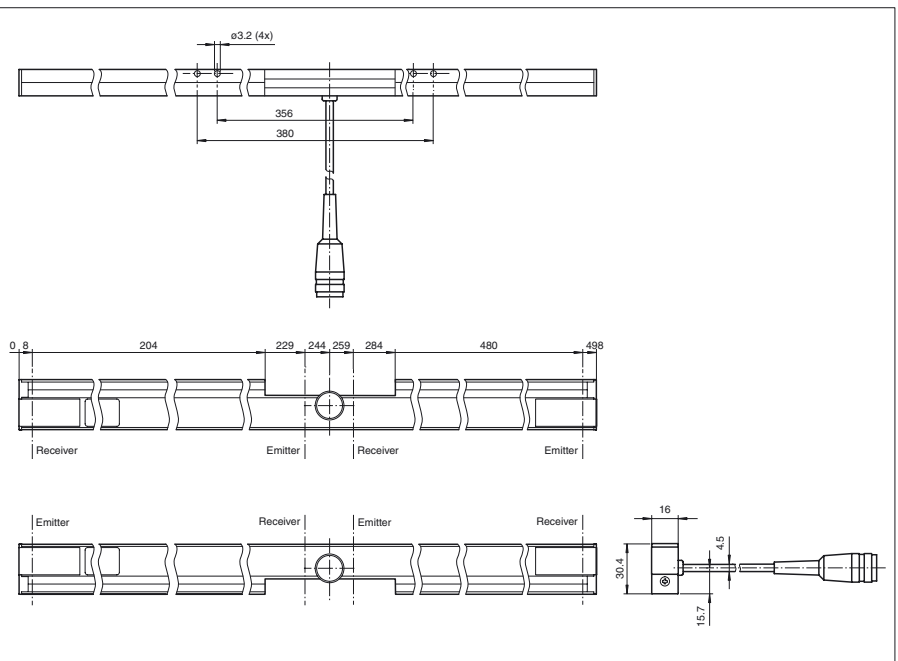
**PLV-PLP-4-602**

Light grid  
with fixed cable and Binder connector

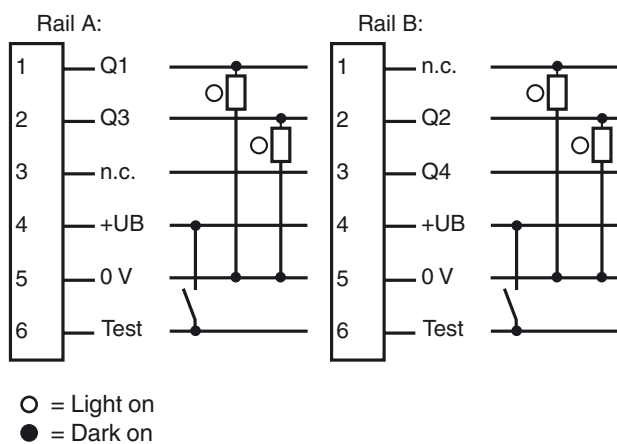
### Features

- Automation light grid with single-beam evaluation
- 4-beam
- Test input

### Dimensions



### Electrical connection



**Technical data****General specifications**

Effective detection range	0 ... 0.8 m
Threshold detection range	1.2 m
Light source	IREL
Light type	modulated infrared light , 950 nm
Field height	472 mm
Number of beams	4
Angle of divergence	Emitter: +/- 6 ° Receiver: +/- 8 °
Ambient light limit	50000 Lux

**Functional safety related parameters**

MTTF <sub>d</sub>	107.5 a
Mission Time (T <sub>M</sub> )	20 a
Diagnostic Coverage (DC)	60 %

**Indicators/operating means**

Function display	LED red, lights up with receiver lit
------------------	--------------------------------------

**Electrical specifications**

Operating voltage	U <sub>B</sub>	10 ... 30 V DC
No-load supply current	I <sub>0</sub>	≤ 100 mA

**Input**

Test input	emitter deactivation at +U <sub>B</sub>
------------	---

**Output**

Switching type	light on	
Signal output	per channel 1 PNP output, short-circuit protected, reverse polarity protected, open collector	
Switching voltage	max. 30 V DC	
Switching current	max. 200 mA	
Switching frequency	f	16 Hz
Response time	30 ms	

**Ambient conditions**

Ambient temperature	-20 ... 60 °C (-4 ... 140 °F)
Storage temperature	-30 ... 70 °C (-22 ... 158 °F)

**Mechanical specifications**

Protection degree	IP50
Connection	Connecting cable with Connector 6-pin, Series 680, (Binder) , Length: 570 mm
Material	
Housing	aluminum / plastic
Optical face	PMMA

**Compliance with standards and directives**

Standard conformity	
Product standard	EN 60947-5-2:2007 IEC 60947-5-2:2007

**Approvals and certificates**

CCC approval	Products with a maximum operating voltage of ≤36 V do not bear a CCC marking because they do not require approval.
--------------	--

**Accessories****OMH-PLV-PLP**

Mounting bracket for light grids, for rear or side wall installation