



Model Number

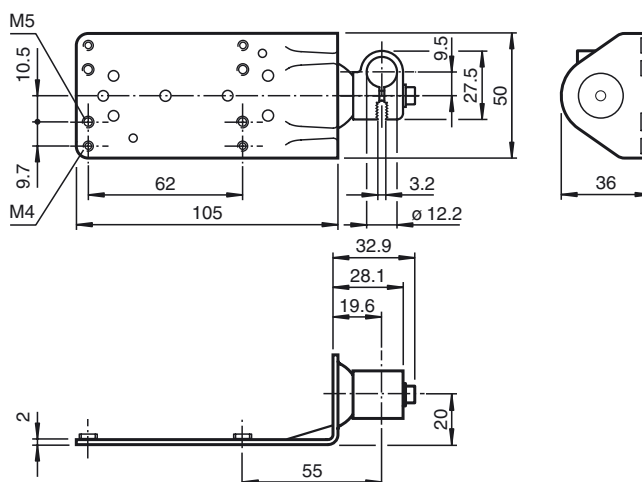
OMH-07

Mounting aid for round steel \varnothing 12 mm or sheet 1.5 mm ... 3 mm

Features

- Bracket for round steel or sheet

Dimensions



Technical data

Mechanical specifications

Material	Metal sheet (steel), zinc-plated aluminum
Mass	approx. 120 g

Suitable series

Series	RL23 RL28 RL29 RL30 RL32
--------	--------------------------------------

Safety Series	SLA28 SL29, SLA29
Reflector series	reflector C110-2 VR10 reflector