



Model Number

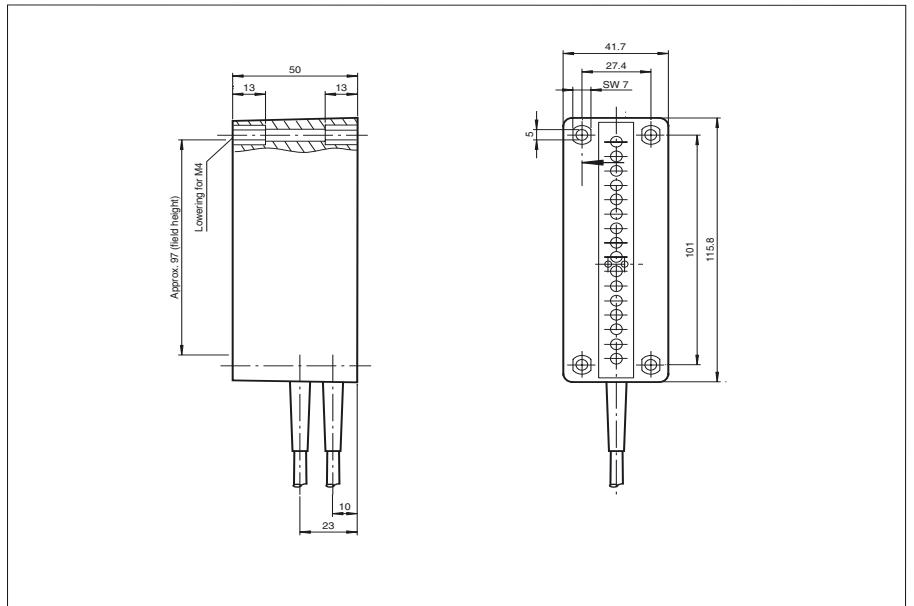
PR16A-150-K-2-F-F

Light grid
with fixed cable

Features

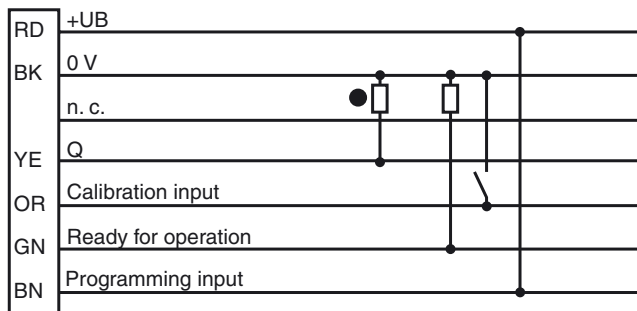
- High-resolution light grid
- Light grid with 16 beams, crossed
- Suitable for recording of transparent objects
- Automatic switching threshold adaptation eliminates soiling effects
- Smallest obstacle size 1 mm

Dimensions

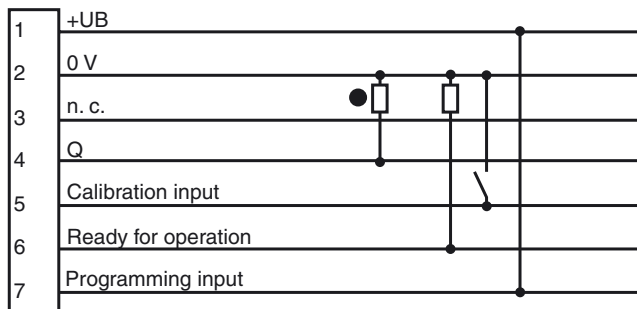


Electrical connection

Cable version



Connector version



○ = Light on
● = Dark on

Release date: 2007-09-24 09:54 Date of issue: 2007-09-24 12:9519_ENG.xml

Technical data

General specifications

Effective detection range	500 ... 1500 mm
Threshold detection range	1500 mm
Light source	IREL
Approvals	CE
Field height	97 mm
Obstacle size	1 mm
Beam spacing	6.5 mm
Number of beams	16
Sensing range	0 ... 1500 mm
Light type	infrared, modulated light
Angle of divergence	± 8 °
Ambient light limit	20000 Lux
Resolution	1 mm , crossed

Indicators/operating means

Function display	LED yellow, functional readiness, LED red, switching state, lights up when the beam field is interrupted
------------------	--

Electrical specifications

Operating voltage	24 ... 28 V DC
Ripple	5 %

Input

Function input	Calibration input > 10 ms, ground active, fixed saving the switching threshold
----------------	--

Output

Switching type	dark ON
Signal output	1 PNP output, short-circuit proof, protected from reverse polarity, open collector
Switching voltage	max. 28 V DC
Switching current	100 mA
Switching frequency	f 20 Hz
Response time	5 ms

Standard conformity

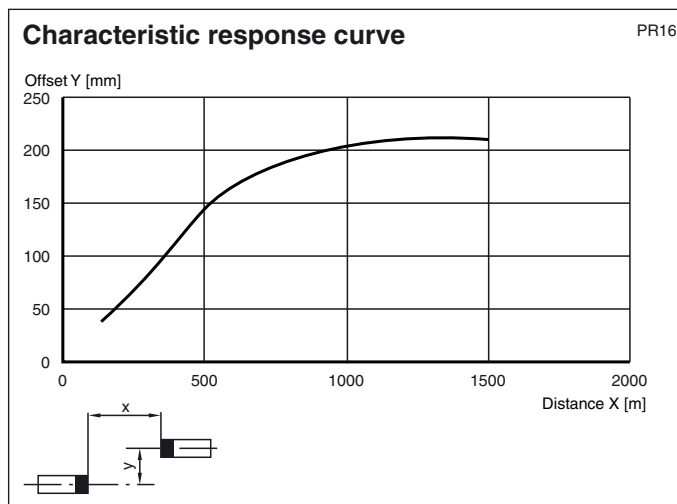
Standards	EN 60947-5-2
-----------	--------------

Ambient conditions

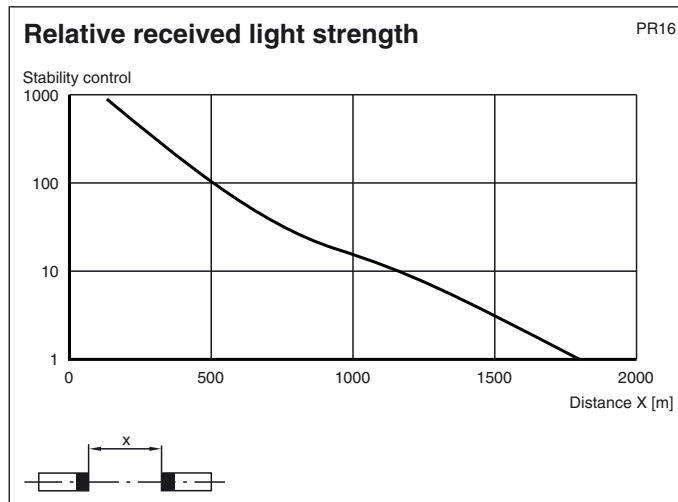
Ambient temperature	-10 ... 50 °C (263 ... 323 K)
Storage temperature	-20 ... 70 °C (253 ... 343 K)

Mechanical specifications

Protection degree	IP65
Connection	2.5 m cable
Material	
Housing	ABS
Optical face	PMMA
Mass	Emitter: 130 g , Receiver: 160 g



Release date: 2007-09-24 09:54 Date of issue: 2007-09-24 12:55:19_ENG.xml



Course of the beams



Accessories

Model number

Cable connector for light grid PR: V18-PR-ASK-VIS
 Interconnecting cable for light grid PR: V18-PR-Verb-VIS