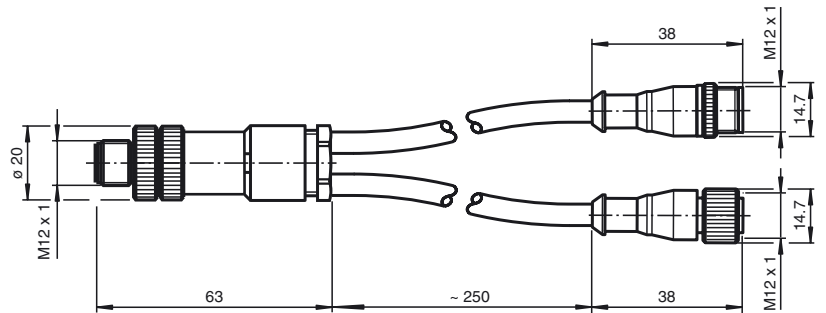




Dimensions



Model number

ICZ-3T-0,2M-PUR ABG-V15B-G

Y- Connection cable for PROFIBUS

Features

- Replacement of devices without bus interruption possible
- Identification sleeves

Technical data

General specifications

Number of poles	4 + 1 x screen
Transfer rate	max. 1.5 MBit/s

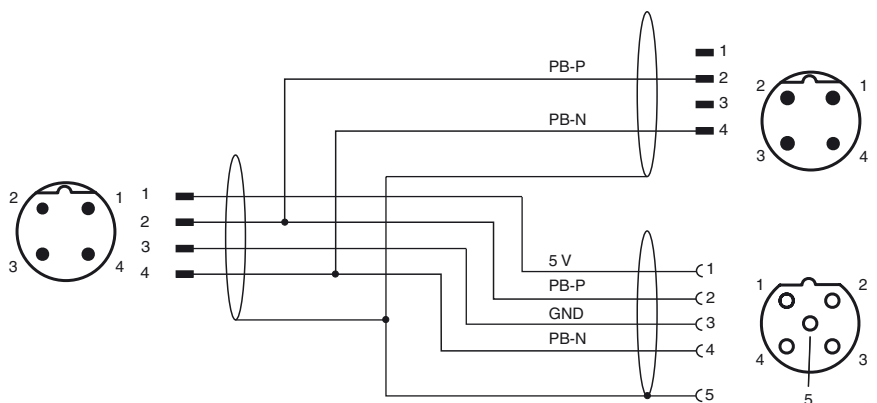
Ambient conditions

Ambient temperature	-40 ... 85 °C (233 ... 358 K)
---------------------	-------------------------------

Mechanical specifications

Protection degree	IP54
Connection	M12 connector/socket, 4-pin, B-coded for PROFIBUS
Material	
Contacts	CuZn, gold-plated
Handle	PUR / PA 66
Cable	PUR
Slotted nut	CuZn, nickel-plated
Cable	
Sheath diameter	Ø4.8 mm
Colour	black
Cores	4 x 0.25 mm <sup>2</sup>
Length	L approx. 20 cm

Electrical connection



Notes

Warning:

The Y connection cable can only be used up to a transfer rate of 1.5 MBit/s.