



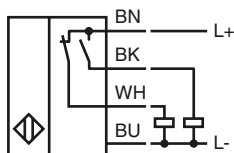
**Model Number**

SB3,5-A2

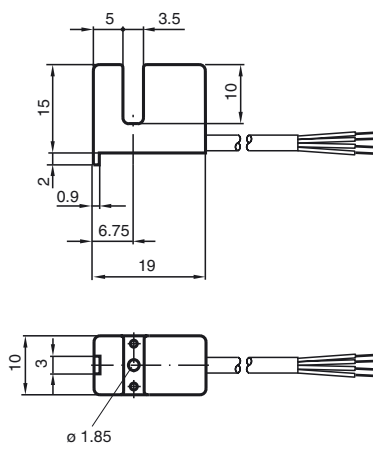
**Features**

- 3.5 mm slot width
- 4-wire DC

**Connection**



**Dimensions**



**Technical Data**

<b>General specifications</b>			
Switching element function	PNP	NO/NC	
Slot width	3.5 mm		
Depth of immersion (lateral)	5 ... 7 mm		
Output polarity	DC		
<b>Nominal ratings</b>			
Operating voltage	$U_B$	10 ... 30 V DC	
Switching frequency	$f$	0 ... 3000 Hz	
Hysteresis	$H$	0.1 ... 0.4 mm	
Reverse polarity protected		reverse polarity protected	
Short-circuit protection		pulsing	
Voltage drop	$U_d$	$\leq 2$ V	
Operating current	$I_L$	0 ... 100 mA	
No-load supply current	$I_0$	$\leq 15$ mA	
<b>Ambient conditions</b>			
Ambient temperature		-25 ... 85 °C (-13 ... 185 °F)	
<b>Mechanical specifications</b>			
Connection type		cable PVC , 500 mm	
Core cross-section		0.14 mm <sup>2</sup>	
Housing material		Crastin (PBTB)	
Protection degree		IP67	
<b>Compliance with standards and directives</b>			
Standard conformity			
Standards		EN 60947-5-2:2007 IEC 60947-5-2:2007	
<b>Approvals and certificates</b>			
UL approval		cULus Listed, General Purpose	
CSA approval		cCSAus Listed, General Purpose	
CCC approval		Products with a maximum operating voltage of $\leq 36$ V do not bear a CCC marking because they do not require approval.	

Release date: 2011-07-27 11:42 Date of issue: 2011-07-27 128588\_eng.xml