



### Model Number

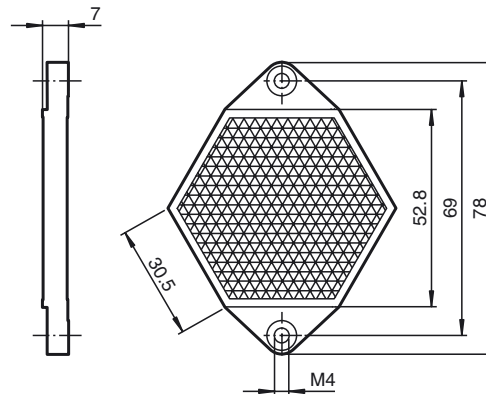
**REF-MH78**

Reflector with Micro-structure, hexagonal 78 mm x 61 mm, mounting holes

### Features

- Mounting holes for simple installation
- Micro-structure

### Dimensions



### Technical data

#### General specifications

Construction type hexagonal

#### Ambient conditions

Ambient temperature -20 ... 85 °C (-4 ... 185 °F)

#### Mechanical specifications

Material PMMA/ABS

Dimensions 78 mm x 61 mm x 7 mm

Mounting mounting holes

### Note

### Reflectors

Polarized retro-reflective sensors must use corner-cube reflectors.

Microstructure, corner-cube reflectors are used with laser retro-reflective sensors that have short sensing distances.