



Model Number

C-BOX 300

Connector box for barcode scanner

Features

- Easy scanner connection by means of clamp terminals
- PROFIBUS interface
- Protection degree IP64

Technical Data

Electrical specifications

| | |
|-------------------|--|
| Operating voltage | 10 ... 30 V DC |
| Data rate | 0.96 ... 12 MBit/s Automatic baud rate detection |
| Power consumption | P_0 2.9 W (without connected barcode scanner) |

Interface

| | |
|----------------|-------------|
| Interface type | PROFIBUS DP |
|----------------|-------------|

Standard conformity

| | |
|-----------|--------------|
| Standards | EN 60947-5-2 |
|-----------|--------------|

Ambient conditions

| | |
|----------------------|---|
| Ambient temperature | -10 ... 50 °C (263 ... 323 K) |
| Storage temperature | -20 ... 70 °C (253 ... 343 K) |
| Relative humidity | 90 % , non-condensing |
| Shock resistance | IEC 68-2-27 Test EA 30G; 11 ms; 3 impacts on each axis |
| Vibration resistance | IEC 68-2-6 Test FC 1.5 mm ; 10 ... 55 Hz ; 2 hours on each axis |

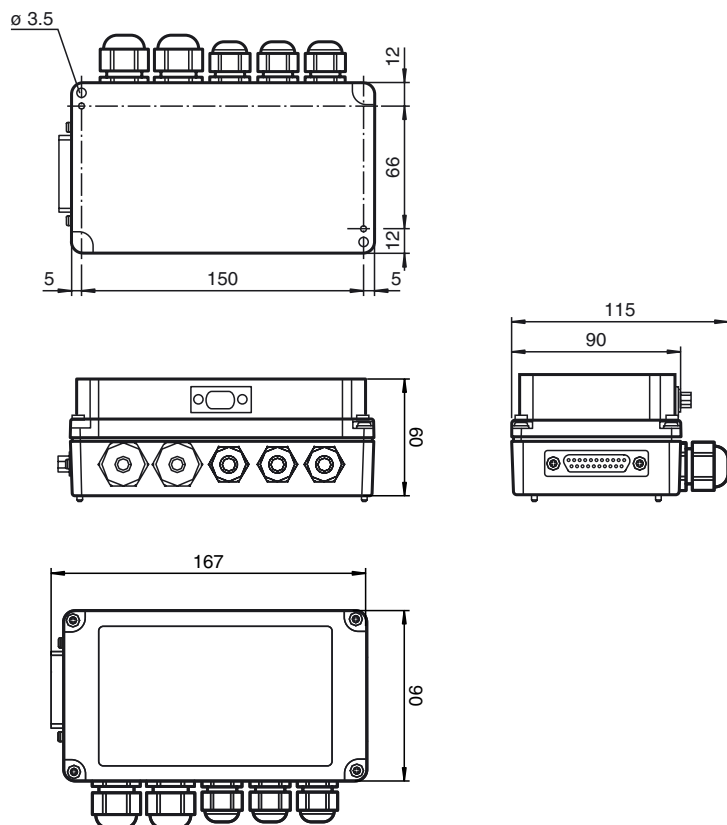
Mechanical specifications

| | |
|-------------------|--|
| Protection degree | IP64 |
| Connection | 25-pin Sub-D socket for Barcode scanner , Sub-D socket, 9-pin for Interface cable , Cable screwed connection PG for system connection (5x) |

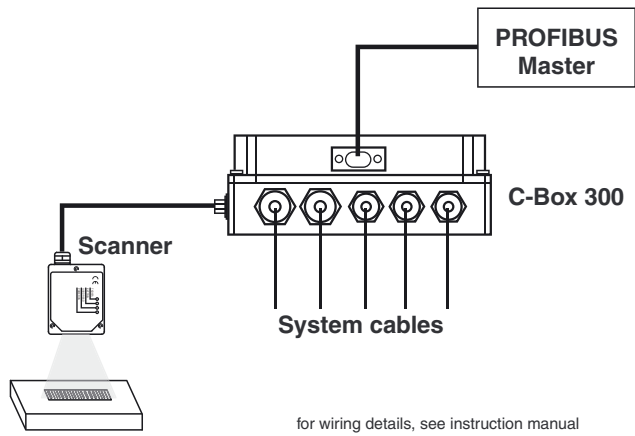
Material

| | |
|---------|--------------------|
| Housing | PC (Polycarbonate) |
| Mass | 440 g |

Dimensions

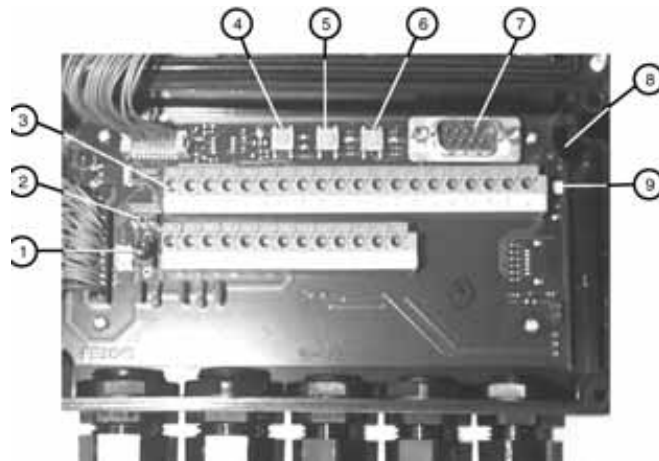


Electrical connection



Electrical connection

Housing base inside view

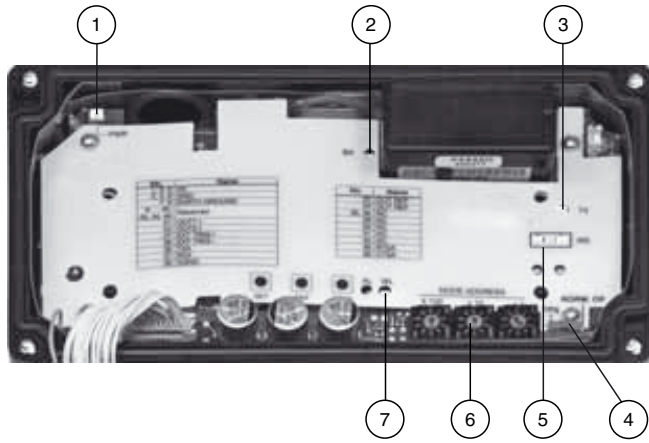


- | | |
|--------------------------------|----------------------------|
| ① Power on switch | ⑥ SEND button |
| ② Chassis grounding selector | ⑦ Auxiliary port connector |
| ③ Spring clamp terminal blocks | ⑧ not used |
| ④ GET button | ⑨ Warning LED |
| ⑤ TEST button | |



Electrical connection

Housing cover inside view



- | | |
|------------------------|-------------------------|
| ① Power on LED | ⑤ Diagnostic LED 2 |
| ② Diagnostic LED 1 | ⑥ Node address selector |
| ③ Tx LED | ⑦ Diagnostic LED 3 |
| ④ Configuration switch | |