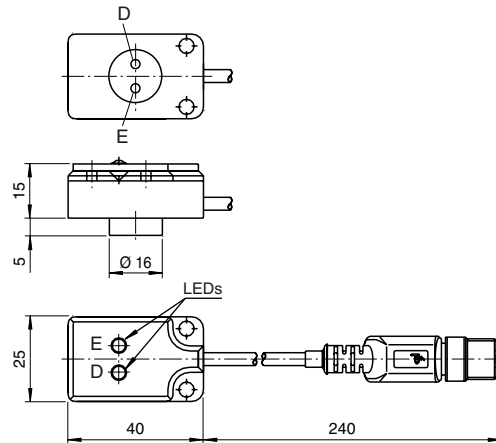


# Inductive proximity switches

NBB1,5-F78A-Z8-C-0,2-V1

Basic series

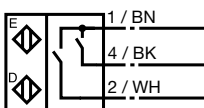
- 1.5 mm embeddable
- Mechanical resistant to welding
- Extremely bright LED indicator
- LED visible 360°
- Complete silicon free
- Acc. CNOMO norm
- Cable with M12 plug



Switching element function	DC	Make function
Rated operating distance $s_n$	1,5 mm	
Installation	embeddable	
Assured operating distance $s_a$	0 ... 1,21 mm	
Operating voltage $U_B$	10 ... 60 V	
Switching frequency $f$	0 ... 1000 Hz	
Reverse polarity protection	Protected against reverse polarity	
Short circuit protection	yes	
Voltage drop $U_d$	$\leq 5$ V	
Operating current $I_L$	1,5 ... 100 mA	
Off-state current $I_r$	$\leq 0,6$ mA	
Indication of the switching state	LED, yellow Engage (close) LED, green Degage (open)	
Standards	EN 60947-5-2	
Ambient temperature	-25 ... 70 °C (248 ... 343 K)	
Connection type	0.2 m PVC cable with V1 connector	
Housing material	PA 6	
Protection degree	IP67	

### Connection\_type:

Z8



125100\_ENG.xml

2003-12-03