



CE

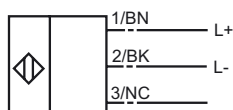
Model Number

NBN4-F45-Z0

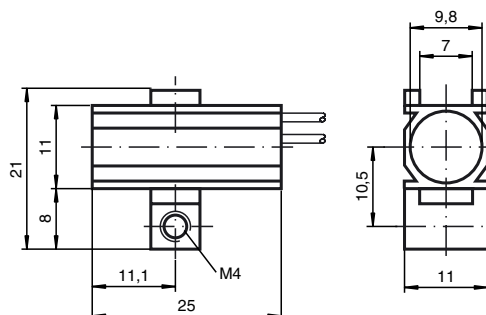
Features

- Basic series
- 4 mm not embeddable

Connection



Dimensions



Technical Data

General specifications

Switching element function		NPN Make function
Rated operating distance	s_n	4 mm
Installation		not embeddable
Output polarity		DC
Assured operating distance	s_a	0 ... 3.24 mm
Reduction factor r_{AI}		0.3
Reduction factor r_{Cu}		0.25
Reduction factor r_{V2A}		0.7

Nominal ratings

Operating voltage	U_B	5 ... 30 V
Switching frequency	f	0 ... 300 Hz
Hysteresis	H	1 ... 10 typ. 5%
Reverse polarity protection		protected against reverse polarity
Short-circuit protection		pulsing
Voltage drop	U_d	≤ 5 V
Operating current	I_L	2 ... 100 mA
Off-state current	I_r	0.4 ... 0.7 mA typ.
Indication of the switching state		no

Standard conformity

Standards	IEC / EN 60947-5-2:2004
-----------	-------------------------

Ambient conditions

Ambient temperature	-25 ... 70 °C (248 ... 343 K)
---------------------	-------------------------------

Mechanical specifications

Connection type	165 mm, PVC-wire with Lumberg plug connection 3820N.PL.134.1
Core cross-section	0.14 mm ²
Housing material	POM
Sensing face	PBT
Protection degree	IP67