

Model Number

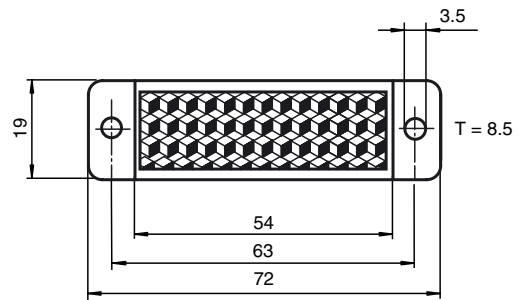
REF-H72

Reflector, rectangular 72 mm x 19 mm,
mounting holes

Features

- Mounting holes for simple installation

Dimensions



Technical data

General specifications

Construction type rectangular

Ambient conditions

Ambient temperature -20 ... 85 °C (-4 ... 185 °F)

Mechanical specifications

Material PMMA/ABS

Dimensions 72 mm x 19 mm x 8.5 mm

Mounting mounting holes