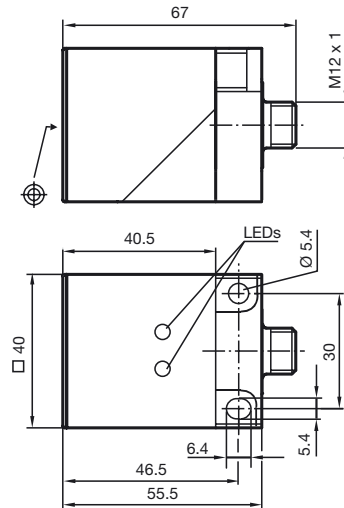


35 mm not embeddable  
 Reduction factor = 1  
 Resistant to welding



| General specifications            |                                    |
|-----------------------------------|------------------------------------|
| Switching element function        | PNP Antivalent                     |
| Rated operating distance $s_n$    | 35 mm                              |
| Installation                      | not embeddable                     |
| Assured operating distance $s_a$  | 0 ... 28.35 mm                     |
| Reduction factor $r_{Al}$         | approx. 1.1                        |
| Reduction factor $r_{Cu}$         | approx. 1.1                        |
| Reduction factor $r_{V2A}$        | approx. 1.1                        |
| Reduction factor $r_{St37}$       | 1                                  |
| Nominal ratings                   |                                    |
| Operating voltage $U_B$           | 10 ... 36 V                        |
| Switching frequency $f$           | 0 ... 200 Hz                       |
| Hysteresis $H$                    | 1 ... 15 %                         |
| Reverse polarity protection       | protected against reverse polarity |
| Short-circuit protection          | pulsing                            |
| Voltage drop $U_d$                | $\leq 2.5$ V                       |
| Operating current $I_L$           | 0 ... 250 mA                       |
| No-load supply current $I_0$      | $\leq 20$ mA                       |
| Alternating magnetic field $B$    | 160 mT                             |
| Operating voltage display         | LED, green                         |
| Indication of the switching state | LED, yellow                        |
| Standard conformity               |                                    |
| Standards                         | IEC / EN 60947-5-2:2004            |
| Ambient conditions                |                                    |
| Ambient temperature               | -25 ... 70 °C (248 ... 343 K)      |
| Mechanical specifications         |                                    |
| Connection type                   | V1-connector                       |
| Housing material                  | PPE                                |
| Sensing face                      | PPE                                |
| Protection degree                 | IP67                               |

### Connection type:

