



Model Number

VAA-2E-F85-V1

AS-Interface emergency off button

Features

- Protection degree IP65 and IP69k
- Outwit-proof according to ISO 13850/EN 418
- 2-channel, compelled connected
- TÜV-approval for system components is available

Function

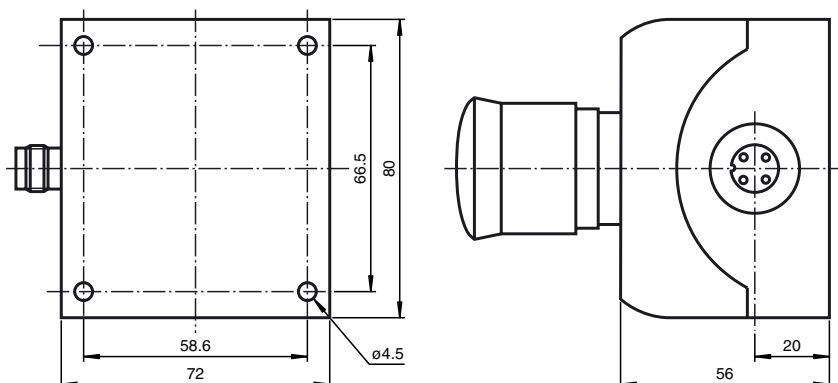
When used in accordance with conditions in combination with an AS-Interface safety monitor, this AS-Interface EMERGENCY OFF makes it possible to operate personal protection equipment.

Accessories

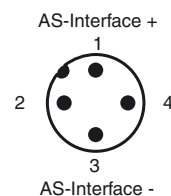
VAZ-F85-SH

Actuating protection

Dimensions



Electrical connection



Technical data

General specifications

Slave type	Standard slave
------------	----------------

Functional safety related parameters

MTTF _d	200 a
B _{10d}	1 E+5

Electrical specifications

Protection class	III
Rated operational voltage	U _e 26.5 ... 31.6 V from AS-Interface
Rated operational current	I _e ≤ 20 mA

Input

Number/Type	2 NC Safety function with positive opening operation in accordance with IEC/EN 60947-5-1 Reset on pulling
Supply	from AS-Interface

Programming instructions

Profile	S-7.B.E
IO code	7
ID code	B
ID1 code	0
ID2 code	E

Data bits (function via AS-Interface)	input	output
D0	dyn. safety code 1	-
D1	dyn. safety code 1	-
D2	dyn. safety code 2	-
D3	dyn. safety code 2	-

Parameter bits (programmable via AS-i) function

P0	not used
P1	not used
P2	not used
P3	not used

Ambient conditions

Ambient temperature	-25 ... 55 °C (248 ... 328 K)
Storage temperature	-25 ... 85 °C (248 ... 358 K)

Mechanical specifications

Protection degree	IP65 according to EN 60529 and IP69k
Connection	M12 round connector