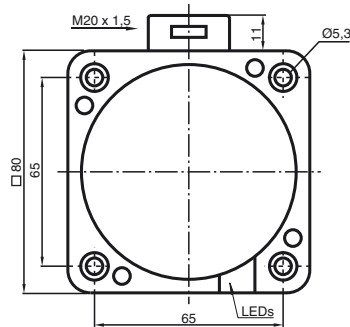
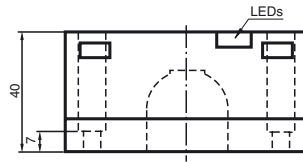


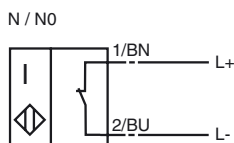
Comfort series
50 mm not embeddable



CE 0102

General specifications	
Switching element function	NAMUR NC
Rated operating distance s_n	50 mm
Installation	not embeddable
Assured operating distance s_a	0 ... 40.5 mm
Reduction factor r_{Al}	0.4
Reduction factor r_{Cu}	0.35
Reduction factor r_{V2A}	0.8
Nominal ratings	
Mounting conditions	
A	40 mm
B	150 mm
F	240 mm
Nominal voltage U_o	8 V
Switching frequency f	0 ... 80 Hz
Hysteresis H	0 ... 5 typ. 3 %
Reverse polarity protection	Protected against reverse polarity
Short-circuit protection	yes
Current consumption	
Measuring plate not detected	≥ 3 mA
Measuring plate detected	≤ 1 mA
Indication of the switching state	LED, yellow
Standard conformity	
EMC in accordance with	IEC / EN 60947-5-2:2004; NE 21
Standards	DIN EN 60947-5-6 (NAMUR)
Ambient conditions	
Ambient temperature	-25 ... 100 °C (248 ... 373 K)
Storage temperature	-40 ... 100 °C (233 ... 373 K)
Mechanical specifications	
Connection type	terminal compartment
Core cross-section	up to 2.5 mm ²
Housing material	PBT
Sensing face	PBT
Protection degree	IP67
General information	
Use in the hazardous area	see instruction manuals
Category	2G

Connection type:



2006-01-26 – 122897_ENG.xml

ATEX 2G

Instruction

Device category 2G

Directive conformity

Standard conformity

CE symbol

Ex-identification

EC-Type Examination Certificate

Appropriate type

Effective internal capacitance C_i

Effective internal inductance L_i

General

Highest permissible ambient temperature

Installation, Commissioning

Maintenance

[Fett]Special conditions

Electrostatic charging

Manual electrical apparatus for hazardous areas

for use in hazardous areas with gas, vapour and mist

94/9/EG

EN 50014:1997, EN 50020:1994

Ignition protection "Intrinsic safety"

Use is restricted to the following stated conditions

CE 0102

II 2G EEx ia IIC T6

PTB 00 ATEX 2032 X

NCN50-FP-N0..

≤ 220 nF ; a cable length of 10 m is considered.

≤ 360 μ H ; a cable length of 10 m is considered.

The apparatus has to be operated according to the appropriate data in the data sheet and in this instruction manual. The EU prototype test certificate must be observed. The special conditions must be adhered to!

The temperature ranges, according to temperature class, are given in the EU prototype test certificate.

Laws and/or regulations and standards governing the use or intended usage goal must be observed. The intrinsic safety is only assured in connection with an appropriate related apparatus and according to the proof of intrinsic safety.

No changes can be made to apparatus, which are operated in hazardous areas. Repairs to these apparatus are not possible.

When used in group IIC non-permissible electrostatic charges should be avoided on the plastic housing parts.