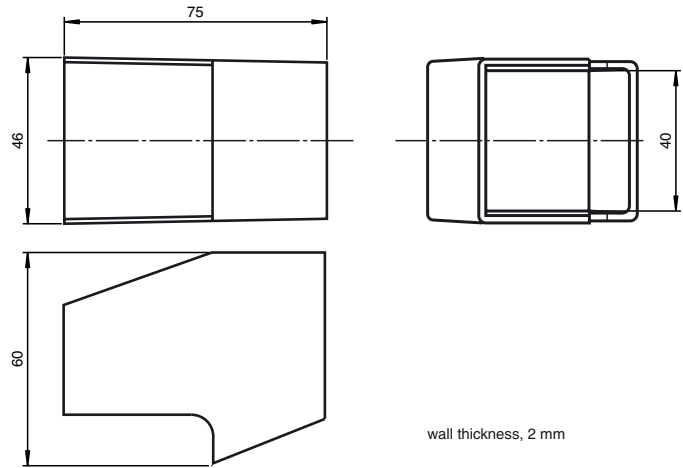


Model Number

SH-F35

Protective cap for mechanical protection and for use in applications in conditions where moisture is present.

Dimensions



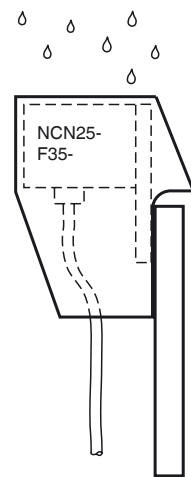
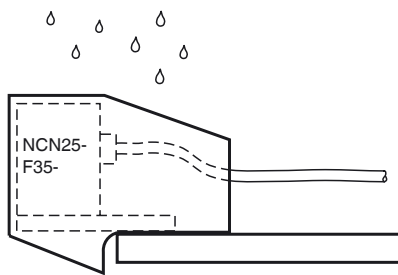
Technical Data

Mechanical specifications

Material PPS; Ryton R4

Approvals and certificates

CCC approval Products with a maximum operating voltage of ≤ 36 V do not bear a CCC marking because they do not require approval.



Release date: 2010-11-16 12:15 Date of issue: 2010-11-19 12:332_ENG.xml