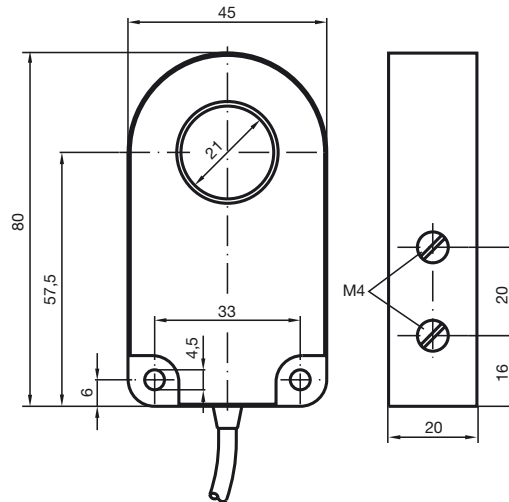


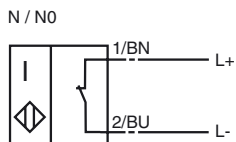
Comfort series
21 mm inside diameter



CE 0102

General specifications	
Switching element function	NAMUR NC
Inside diameter	21 mm
Installation	
Measuring cylinder	
Diameter	6 mm
Length	12 mm
Nominal ratings	
Nominal voltage U_o	8 V
Operating voltage U_B	5 ... 25 V
Switching frequency f	0 ... 1000 Hz
Current consumption	
Measuring plate not detected	≥ 3 mA
Measuring plate detected	≤ 1 mA
Standard conformity	
EMC in accordance with	IEC / EN 60947-5-2:2004
Standards	DIN EN 60947-5-6 (NAMUR)
Ambient conditions	
Ambient temperature	-25 ... 70 °C (248 ... 343 K)
Mechanical specifications	
Connection type	5 m, PVC cable
Core cross-section	0.34 mm ²
Housing material	PBT
Protection degree	IP67
General information	
Use in the hazardous area	see instruction manuals
Category	2G

Connection type:



ATEX 2G

Instruction

Device category 2G

Directive conformity

Standard conformity

CE symbol

Ex-identification

EC-Type Examination Certificate

Appropriate type

Effective internal capacitance C_i

Effective internal inductance L_i

General

Highest permissible ambient temperature

Installation, Commissioning

Maintenance

[Fett]Special conditions

Protection from mechanical danger

Electrostatic charging

Manual electrical apparatus for hazardous areas

for use in hazardous areas with gas, vapour and mist

94/9/EG

EN 50014:1997, EN 50020:1994

Ignition protection "Intrinsic safety"

Use is restricted to the following stated conditions

CE 0102

II 2G EEx ia IIC T6

PTB 99 ATEX 2128 X

RJ21-N...

≤ 30 nF ; a cable length of 10 m is considered.

≤ 25 μ H ; a cable length of 10 m is considered.

The apparatus has to be operated according to the appropriate data in the data sheet and in this instruction manual. The EU prototype test certificate must be observed. The special conditions must be adhered to!

The temperature ranges, according to temperature class, are given in the EU prototype test certificate.

Laws and/or regulations and standards governing the use or intended usage goal must be observed. The intrinsic safety is only assured in connection with an appropriate related apparatus and according to the proof of intrinsic safety.

No changes can be made to apparatus, which are operated in hazardous areas. Repairs to these apparatus are not possible.

When used in the temperature range below -20°C the sensor should be protected from knocks by the provision of an additional housing.

When used in group IIC non-permissible electrostatic charges should be avoided on the plastic housing parts.