



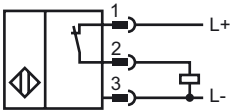
Model Number

NBN40-L2-E3-V1

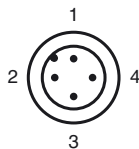
Features

- Basic series
- 40 mm not embeddable
- Quick mounting bracket
- 4-way LED indicator

Connection



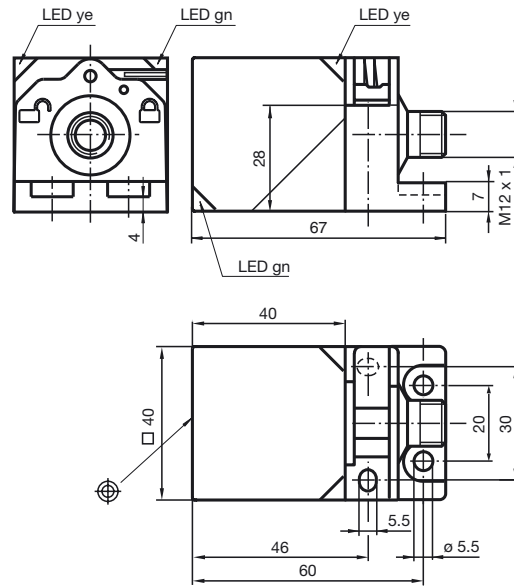
Pinout



Wire colors in accordance with EN 60947-5-2

- | | |
|---|----|
| 1 | BN |
| 2 | WH |
| 3 | BU |
| 4 | BK |

Dimensions



Technical Data

General specifications

Switching element function	PNP	Break function
Rated operating distance	s_n	40 mm
Installation		not embeddable
Output polarity		DC
Assured operating distance	s_a	0 ... 32.4 mm
Reduction factor r_{Al}		0.3
Reduction factor r_{Cu}		0.28
Reduction factor r_{V2A}		0.75
Reduction factor r_{Brass}		0.38

Nominal ratings

Operating voltage	U_B	10 ... 30 V
Switching frequency	f	0 ... 150 Hz
Hysteresis	H	typ. 5 %
Reverse polarity protection		protected against reverse polarity
Short-circuit protection		pulsing
Voltage drop	U_d	≤ 2 V
Operating current	I_L	0 ... 200 mA
Off-state current	I_r	0 ... 0.5 mA
No-load supply current	I_0	≤ 20 mA
Operating voltage display		LED, green
Indication of the switching state		LED, yellow

Ambient conditions

Ambient temperature	-25 ... 85 °C (248 ... 358 K)
Storage temperature	-40 ... 85 °C (233 ... 358 K)

Mechanical specifications

Connection type	connector M12 x 1, 4-pin
Housing material	PA
Sensing face	PA
Protection degree	IP69K

Compliance with standards and directives

Standard conformity	
Standards	EN 60947-5-2:2007 IEC 60947-5-2:2007

Release date: 2010-01-14 10:49 Date of issue: 2010-01-14 12:1605_ENG.xml